

Device Modeling Report

COMPONENTS : CHOKE COIL
PART NUMBER : 8RHB
VALUE : 22 μ H
CURRENT MAX : 1.6 A
MANUFACTURER : TOKO



Bee Technologies Inc.

Theory: Auto Balancing Bridge Method

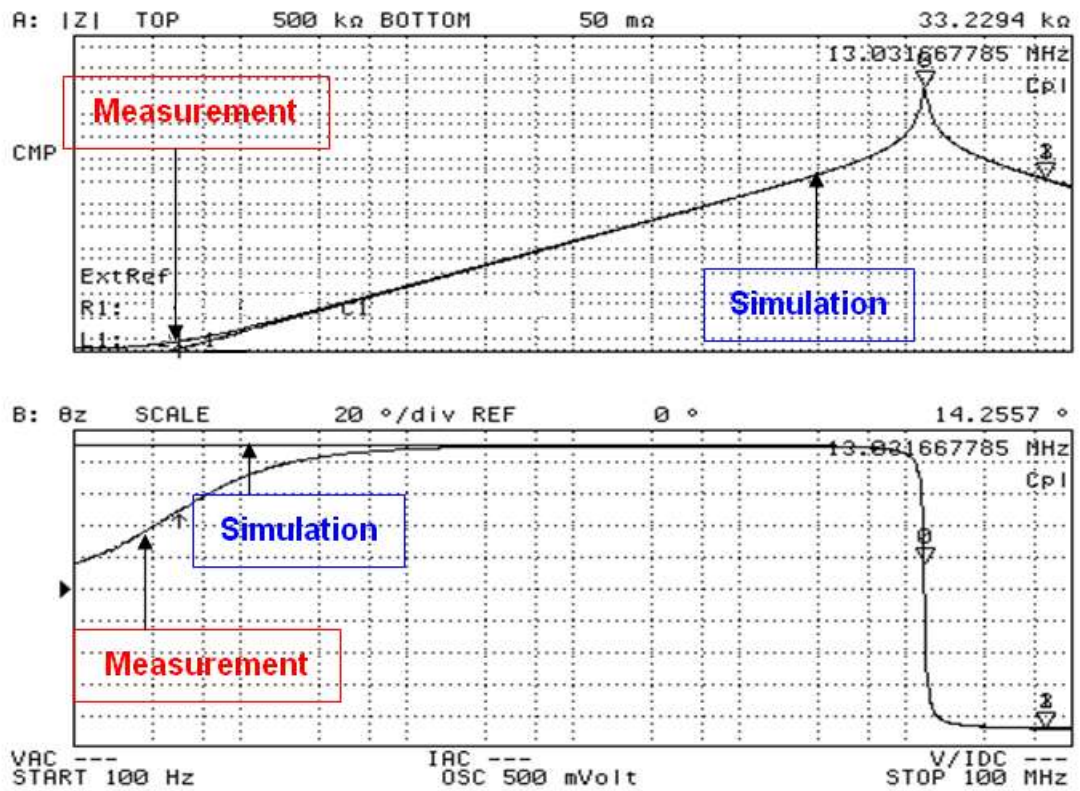
Optimization of Simulation

Range of adjustment Frequency: 100 to 100M(Hz)

Frequency vs. $|Z|$ and Frequency vs. θz Characteristic

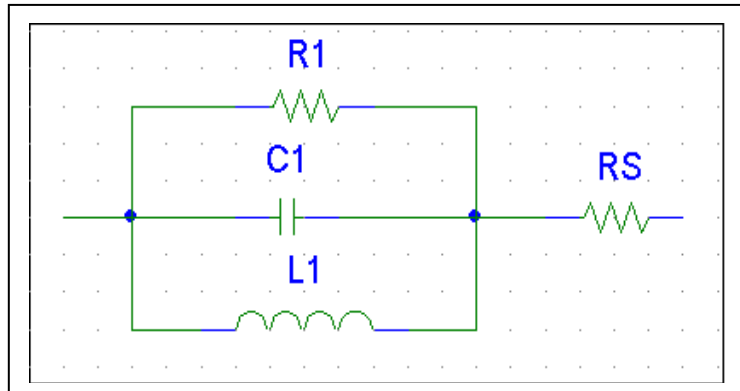
Attention)

Please use SPICE MODEL within the range from 100 to 100M(Hz)



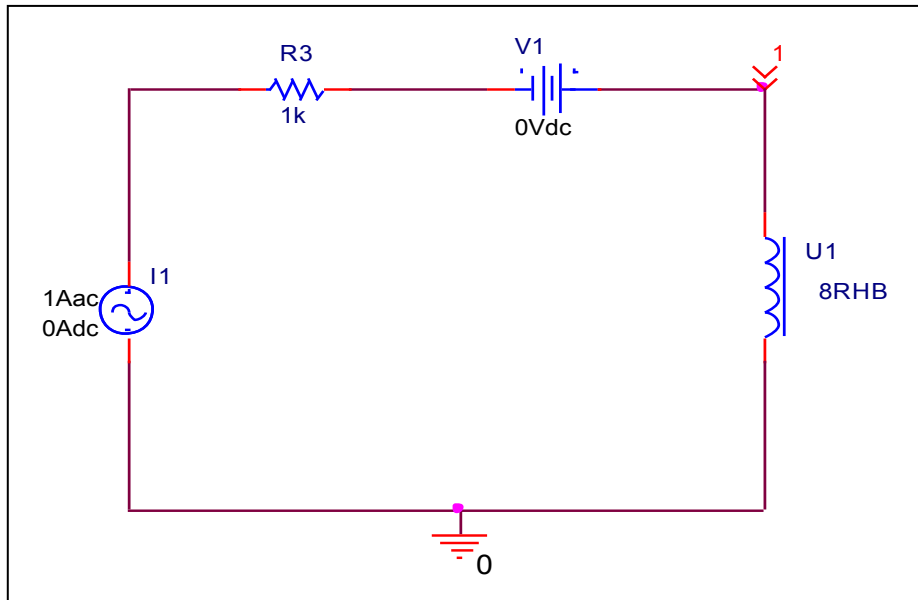
L1	
C1	
R1	

Equivalent circuit

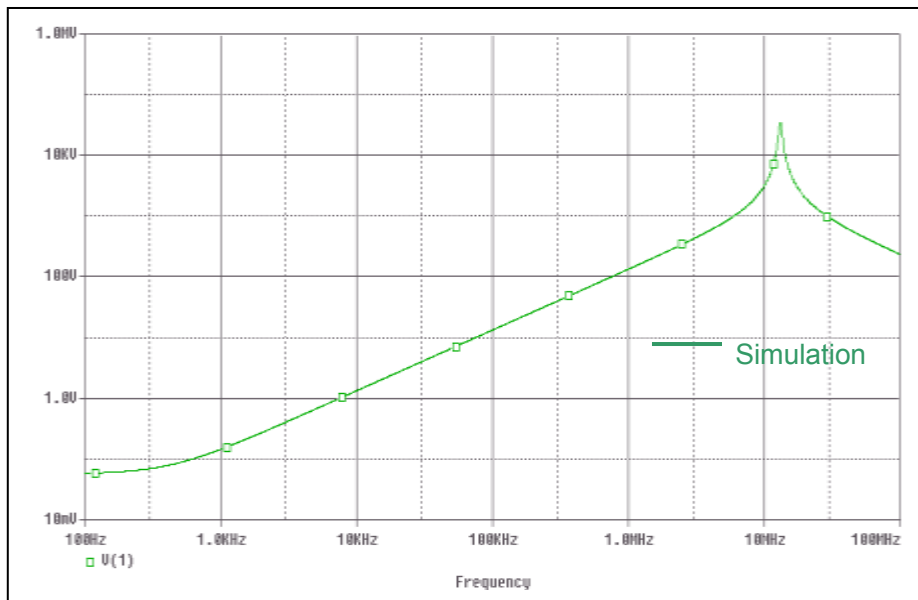


Frequency vs. |Z| Characteristic

Evaluation circuit



Simulation result



Comparison Table

Frequency (Hz)	Z (ohm) : Measurement	Z (ohm) : Simulation	% Error
100	57.6326	58.222	-1.023
100K	14.017	13.308	5.058
1M	135.414	133.847	1.157
10M	3.16786 k	3.1636 k	0.134

	Measurement	Simulation	% Error
F_{SRF} (Hz)	13.032 M	13.103 M	-0.545
 Z (ohm), at F_{SRF}	33.2124 k	34.111 k	-2.706