

Device Modeling Report

COMPONENTS : CHOKE COIL
PART NUMBER : 8RHB
VALUE : 330 μ H
CURRENT MAX : 0.54 A
MANUFACTURER : TOKO



Bee Technologies Inc.

Theory: Auto Balancing Bridge Method

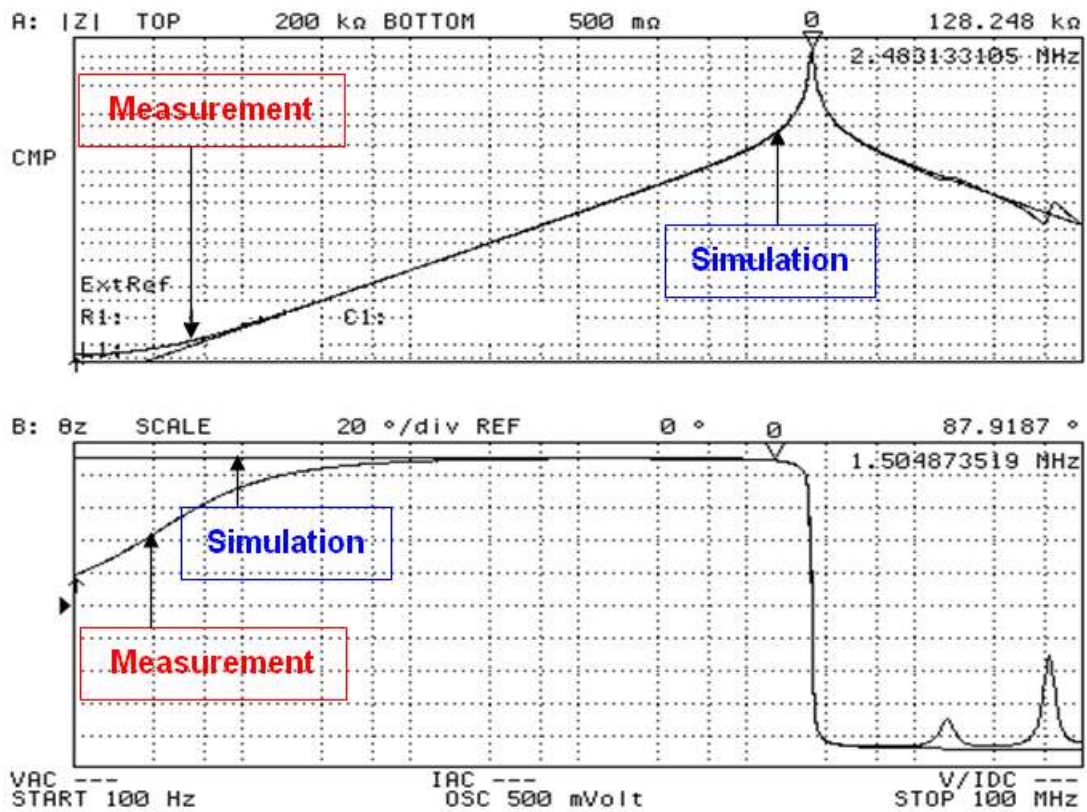
Optimization of Simulation

Range of adjustment Frequency: 100 to 100M(Hz)

Frequency vs. $|Z|$ and Frequency vs. θz Characteristic

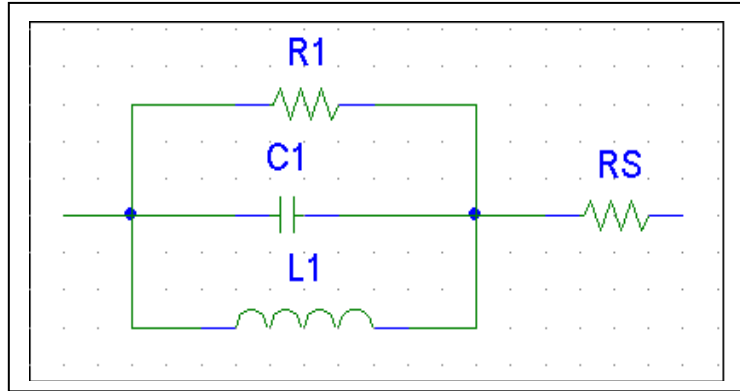
Attention)

Please use SPICE MODEL within the range from 100 to 100M(Hz)



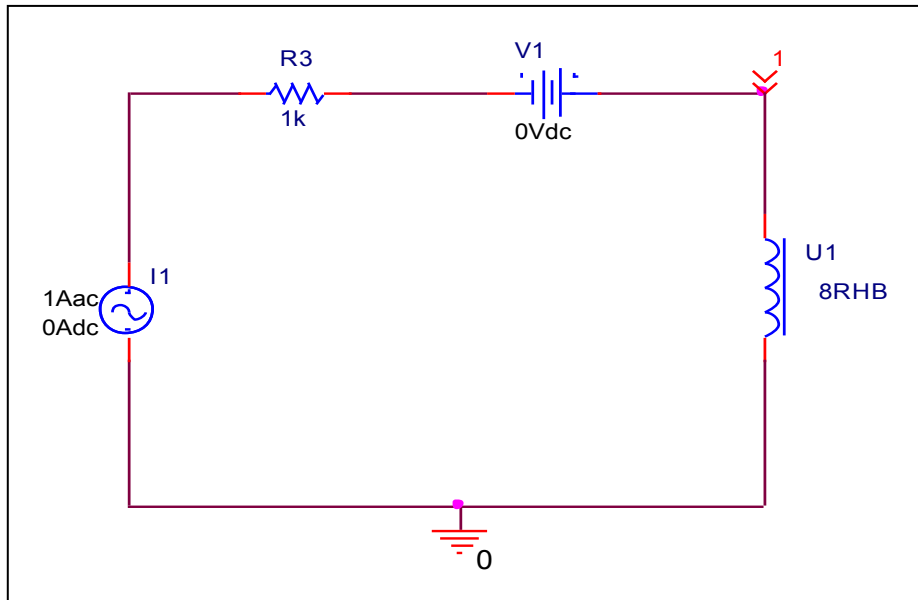
L1	
C1	
R1	

Equivalent circuit

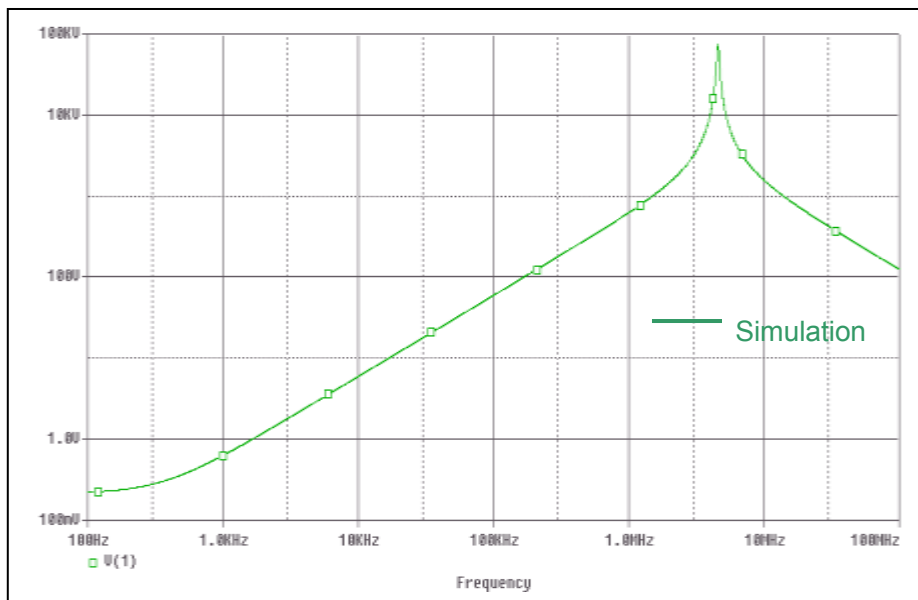


Frequency vs. |Z| Characteristic

Evaluation circuit



Simulation result



Comparison Table

Frequency (Hz)	Z (ohm) : Measurement	Z (ohm) : Simulation	% Error
100	653.11 m	657.570 m	-0.683
1K	2.01818	1.9875	1.520
10K	18.8189	18.861	-0.224
100K	184.529	187.720	-1.729
1M	2.15372 k	2.2529 k	-4.605
100M	118.049	115.403	2.241

	Measurement	Simulation	% Error
F_{SRF} (Hz)	2.483 M	2.473 M	0.403
 Z (ohm), at F_{SRF}	127.99 k	128.722 k	-0.572