

Device Modeling Report

COMPONENTS: CHOKE COIL
PART NUMBER: 228-466
MANUFACTURER:
WURTH ELEKTRONIK GmbH & CO.KG



Bee Technologies Inc.

Theory: Auto Balancing Bridge Method

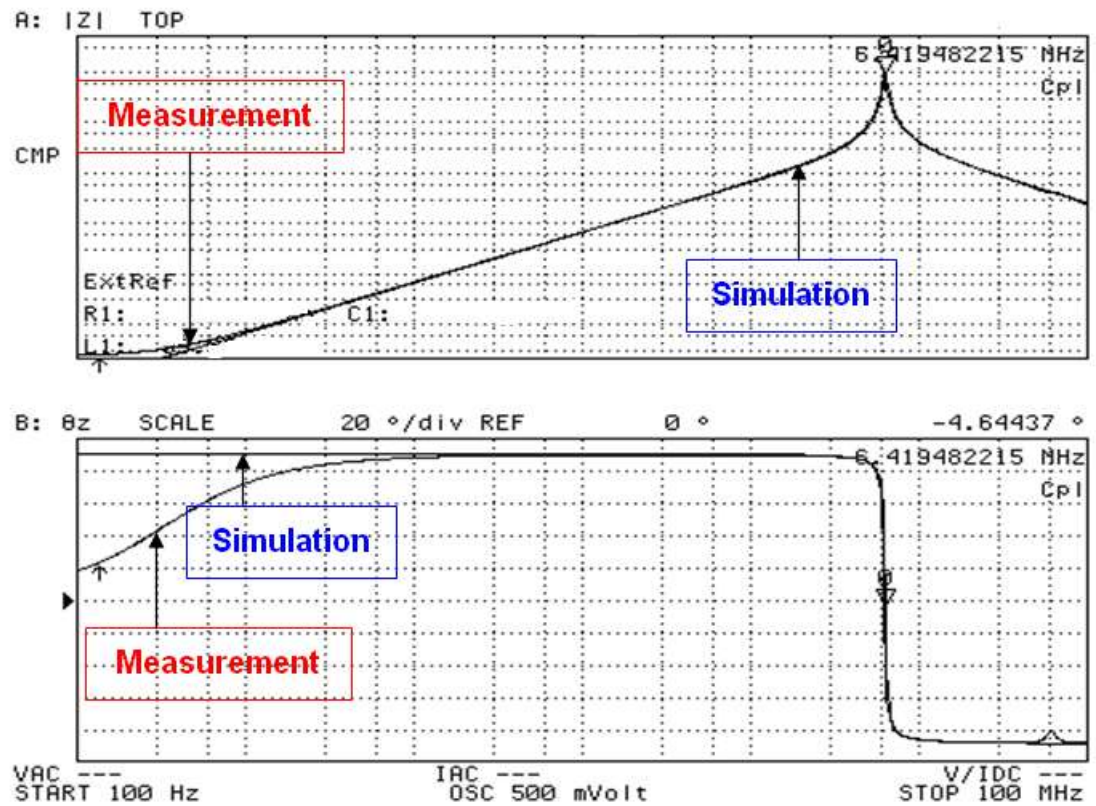
Optimization of Simulation

Range of adjustment Frequency: 100 to 100M(Hz)

Frequency vs. $|Z|$ and Frequency vs. θz Characteristic

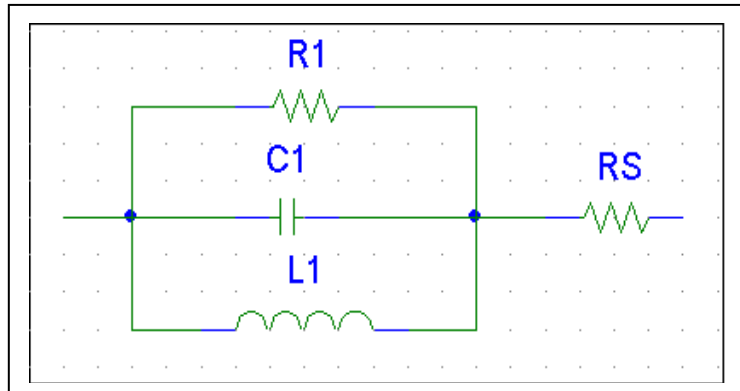
Attention)

Please use SPICE MODEL within the range from 100 to 100M(Hz)



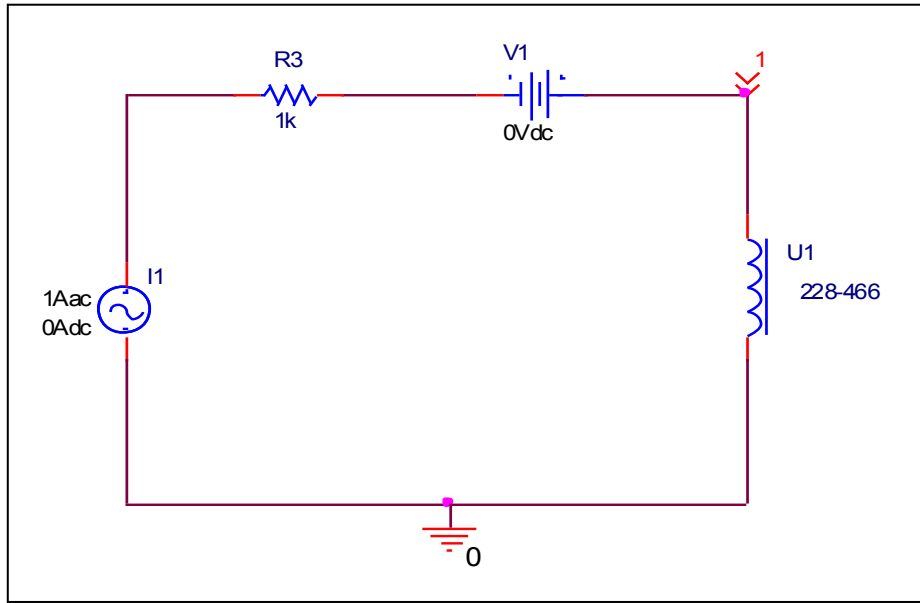
L1	
C1	
R1	

Equivalent circuit

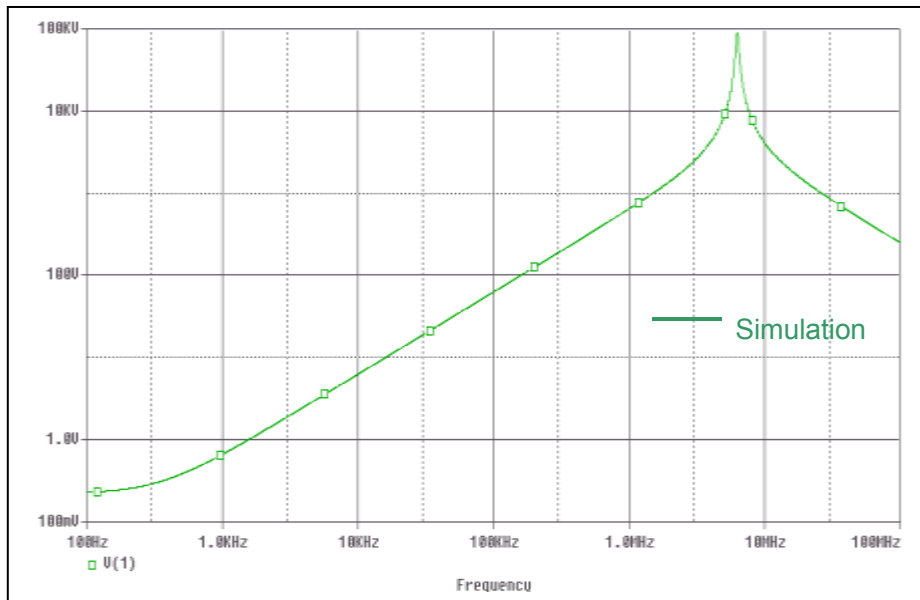


Frequency vs. |Z| Characteristic

Evaluation circuit



Simulation result



Comparison Table

Frequency (Hz)	Z (ohm) : Measurement	Z (ohm) : Simulation	% Error
100	230.26 m	228.861 m	0.608
1K	695.511 m	665.107 m	4.371
10K	6.48106	6.2803	3.098
100K	63.6358	62.780	1.345
1M	622.238	636.183	-2.241
10M	4.17939 k	4.09 k	2.139

	Measurement	Simulation	% Error
F_{SRF} (Hz)	6.419 M	6.277 M	2.212
 Z (ohm), at F_{SRF}	90.6325 k	91.205 k	-0.632