

Device Modeling Report

COMPONENTS: CHOKE COIL
PART NUMBER: 228-488
MANUFACTURER:
WURTH ELEKTRONIK GmbH & CO.KG



Bee Technologies Inc.

Theory: Auto Balancing Bridge Method

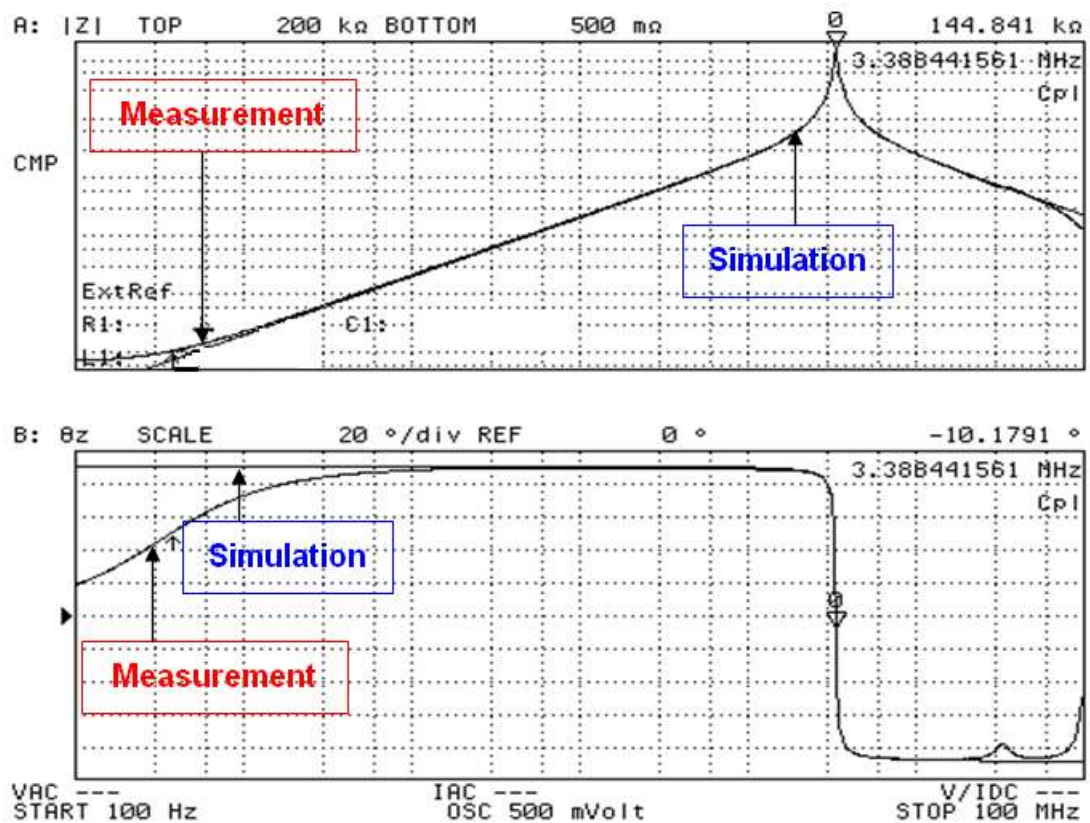
Optimization of Simulation

Range of adjustment Frequency: 100 to 100M(Hz)

Frequency vs. $|Z|$ and Frequency vs. θz Characteristic

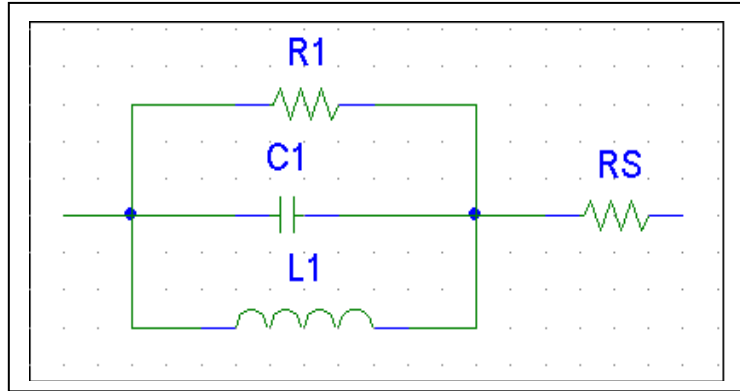
Attention)

Please use SPICE MODEL within the range from 100 to 100M(Hz)



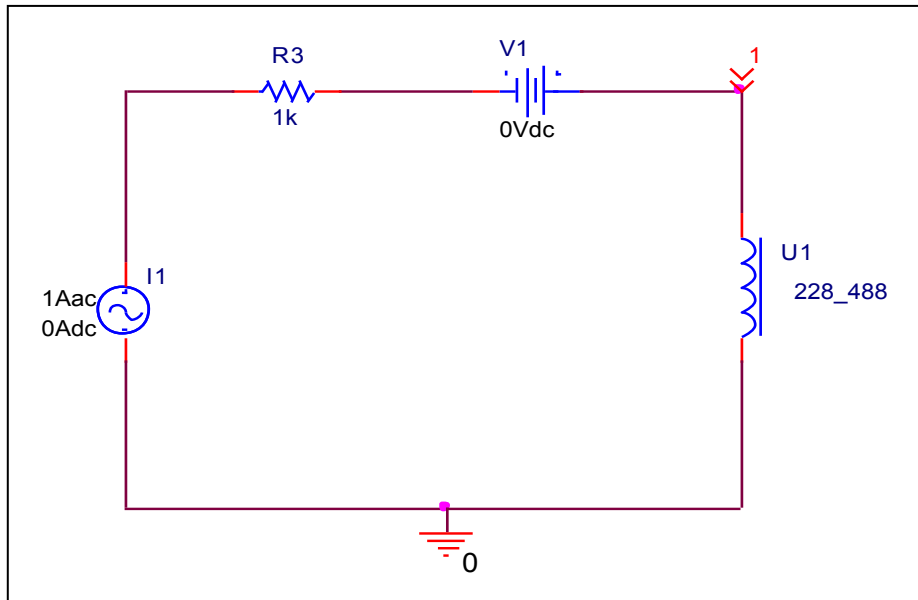
L1	
C1	
R1	

Equivalent circuit

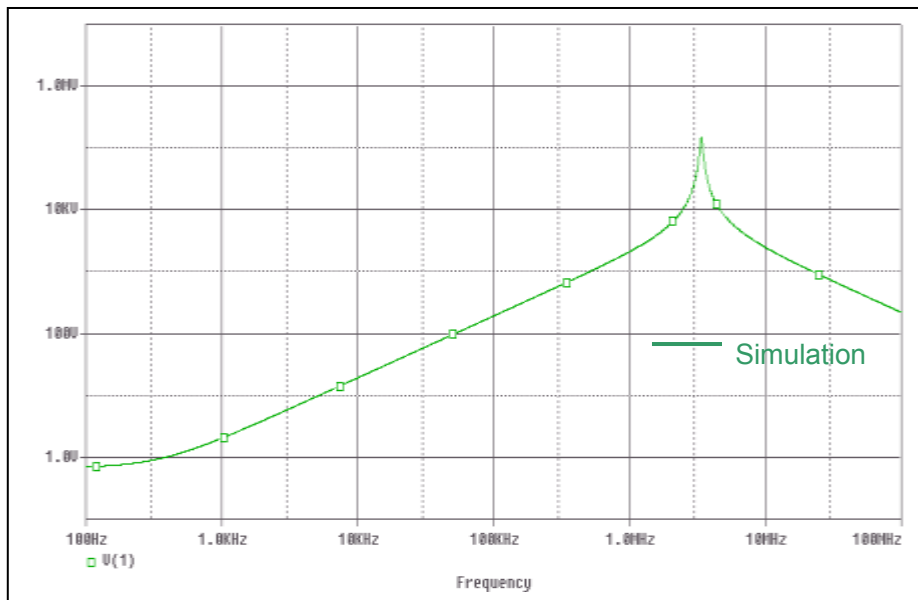


Frequency vs. |Z| Characteristic

Evaluation circuit



Simulation result



Comparison Table

Frequency (Hz)	Z (ohm) : Measurement	Z (ohm) : Simulation	% Error
100	706.212 m	699.863 m	0.899
100K	201.464	192.367	4.515
1M	2.12997 k	2.1067 k	1.093
10M	2.45927 k	2.4703 k	-0.449

	Measurement	Simulation	% Error
F_{SRF} (Hz)	3.388 M	3.3736 M	0.425
 Z (ohm), at F_{SRF}	144.899 k	146.045 k	-0.791