

# Device Modeling Report

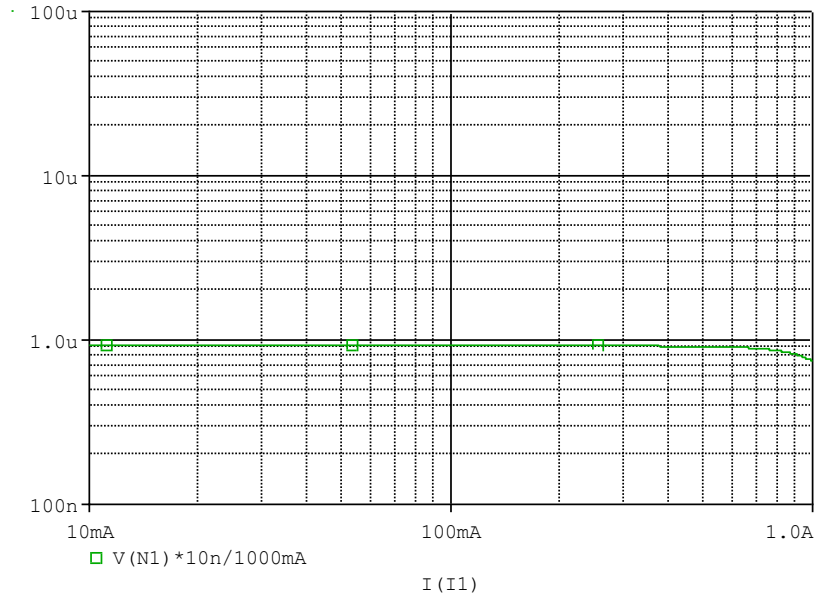
COMPONENTS: Inductance  
PART NUMBER: LQH2MCN1R0M52  
MANUFACTURER: Murata Manufacturing Co., Ltd.  
Remark: DC Model



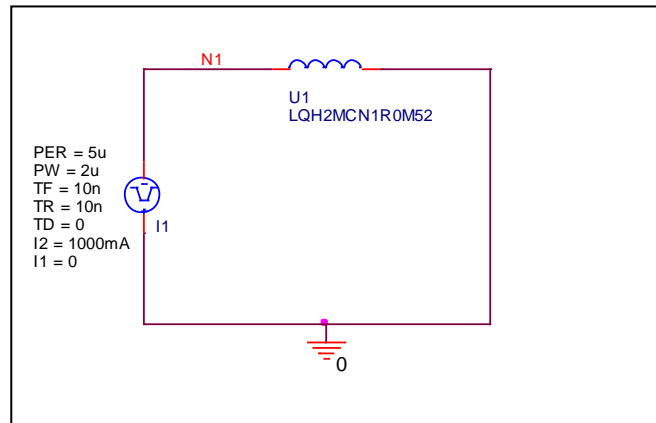
**Bee Technologies Inc.**

# Inductance-Current Characteristics

## Circuit Simulation result

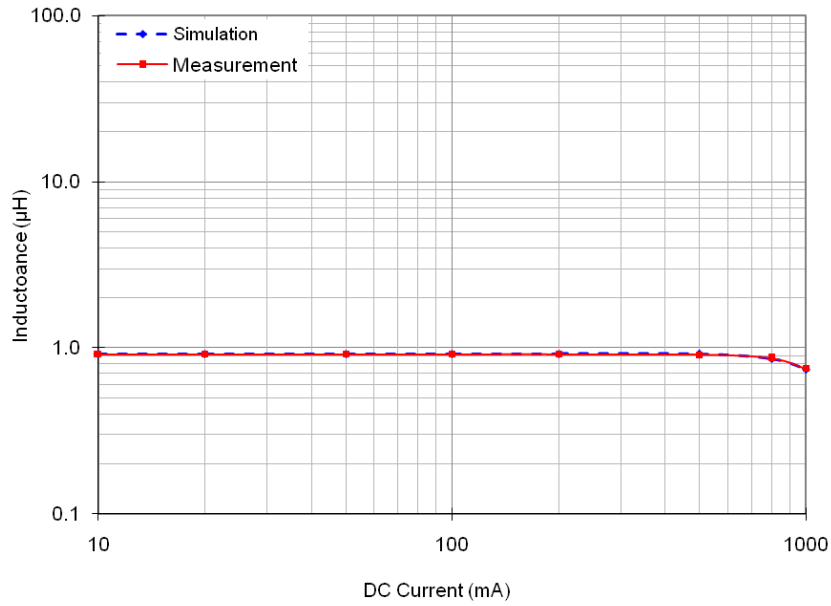


## Evaluation circuit



# Comparison Graph

## Simulation result



## Comparison table

I (mA)	L (µH)		%Error
	Measurement	Simulation	
10	0.915	0.920	0.55
20	0.915	0.920	0.55
50	0.915	0.920	0.55
100	0.915	0.920	0.55
200	0.915	0.920	0.55
500	0.905	0.916	1.18
800	0.865	0.864	-0.12
1000	0.750	0.746	-0.56