

Device Modeling Report

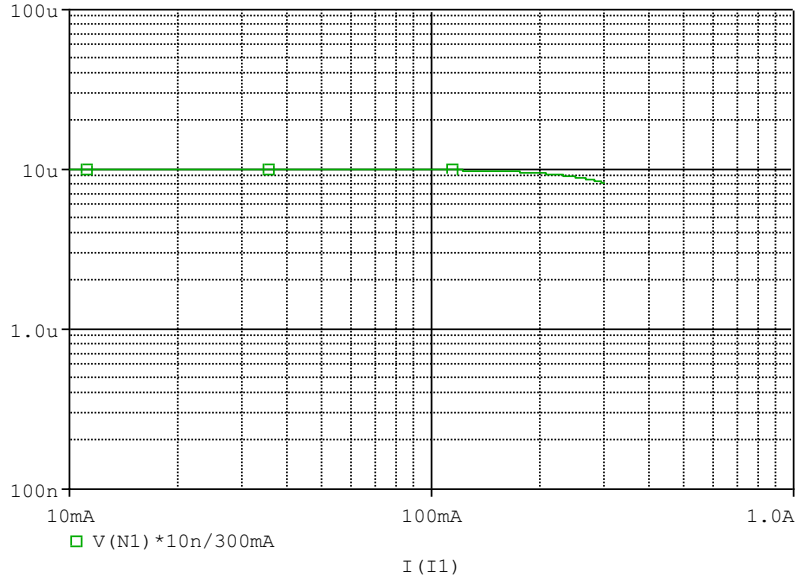
COMPONENTS: Inductance
PART NUMBER: LQH2MCN100M52
MANUFACTURER: Murata Manufacturing Co., Ltd.
Remark: DC Model



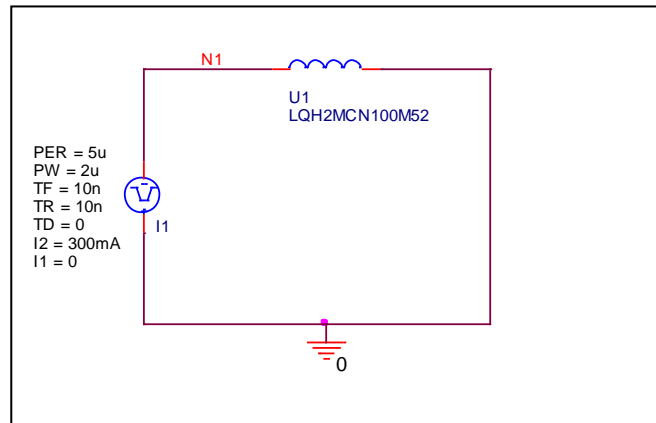
Bee Technologies Inc.

Inductance-Current Characteristics

Circuit Simulation result

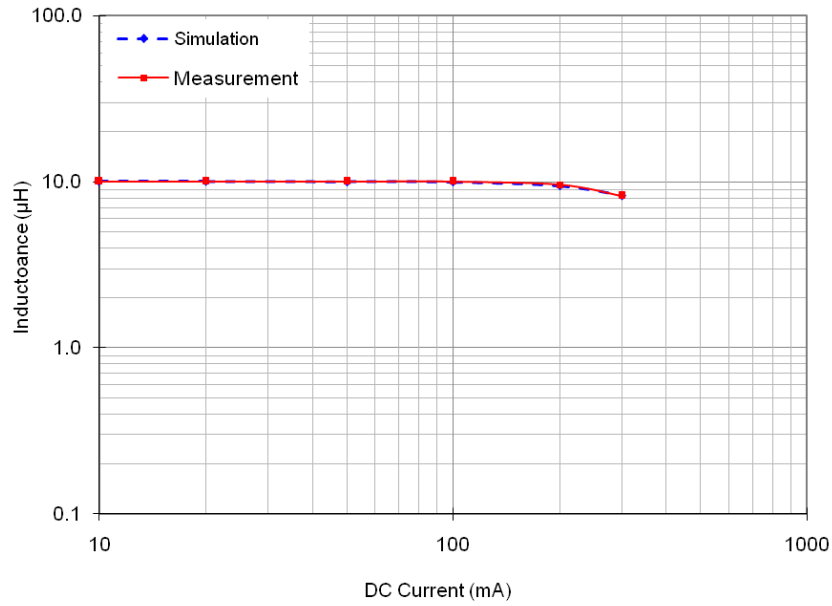


Evaluation circuit



Comparison Graph

Simulation result



Comparison table

I (mA)	L (µH)		%Error
	Measurement	Simulation	
10	10.000	10.001	0.01
20	10.000	10.001	0.01
50	10.000	9.996	-0.04
100	10.000	9.942	-0.58
200	9.575	9.490	-0.88
300	8.200	8.252	0.63