

# Device Modeling Report

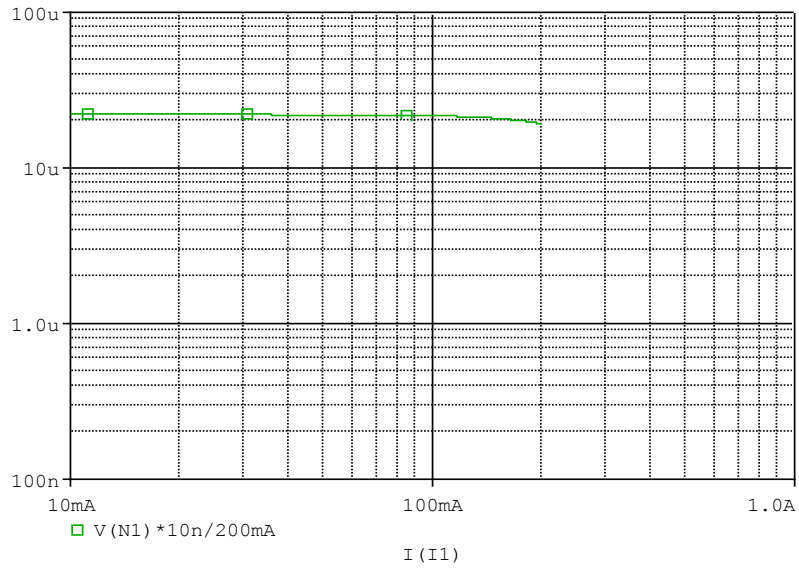
COMPONENTS: Inductance  
PART NUMBER: LQH2MCN220M52  
MANUFACTURER: Murata Manufacturing Co., Ltd.  
Remark: DC Model



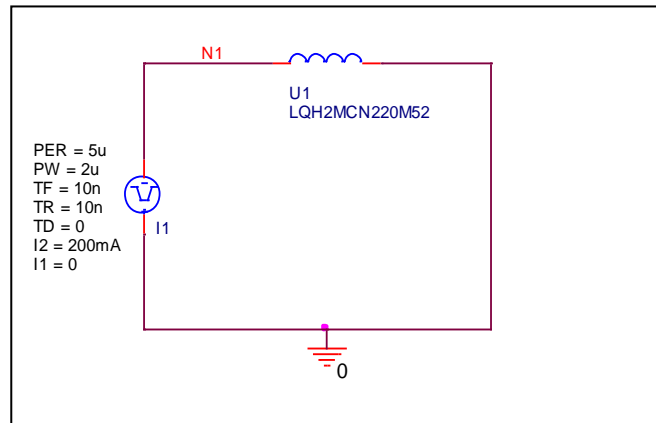
**Bee Technologies Inc.**

# Inductance-Current Characteristics

## Circuit Simulation result

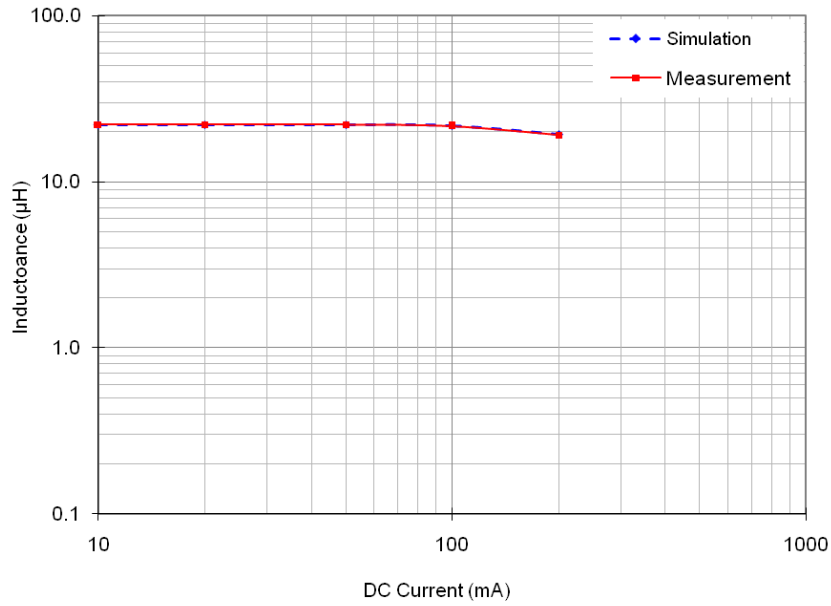


## Evaluation circuit



# Comparison Graph

## Simulation result



## Comparison table

I (mA)	L (µH)		%Error
	Measurement	Simulation	
10	22.000	22.002	0.01
20	22.000	22.003	0.01
50	22.000	21.970	-0.14
100	21.550	21.681	0.61
200	19.000	19.281	1.48