

Device Modeling Report

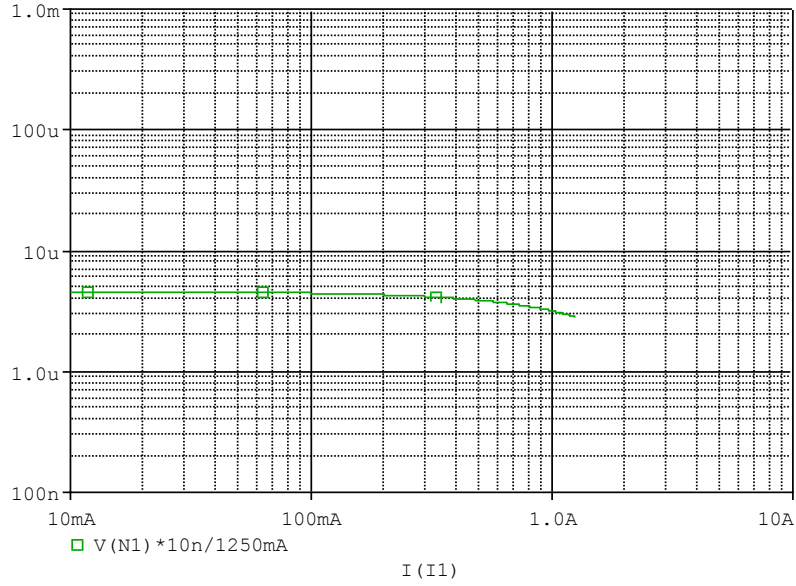
COMPONENTS: Inductance
PART NUMBER: LQH3NPN4R7MM0
MANUFACTURER: Murata Manufacturing Co., Ltd.
Remark: DC Model



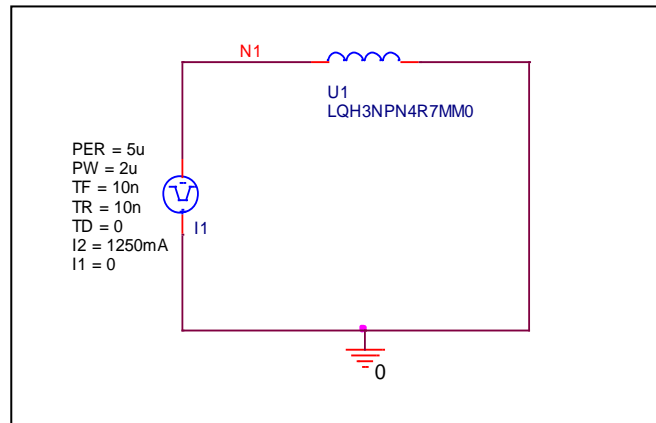
Bee Technologies Inc.

Inductance-Current Characteristics

Circuit Simulation result

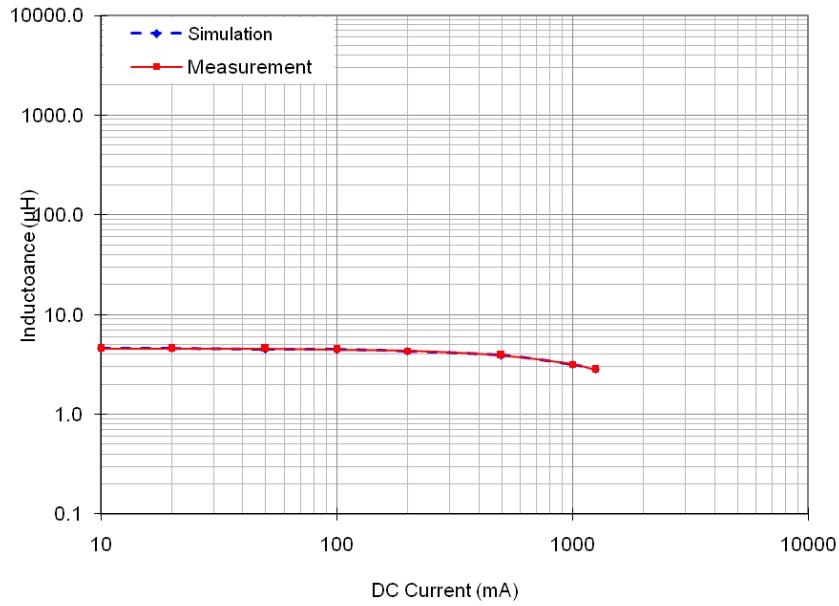


Evaluation circuit



Comparison Graph

Simulation result



Comparison table

I (mA)	L (µH)		%Error
	Measurement	Simulation	
10	4.550	4.585	0.77
20	4.550	4.571	0.46
50	4.550	4.528	-0.48
100	4.450	4.457	0.16
200	4.290	4.315	0.58
500	3.900	3.887	-0.33
1000	3.150	3.175	0.79
1250	2.800	2.818	0.64