

Device Modeling Report

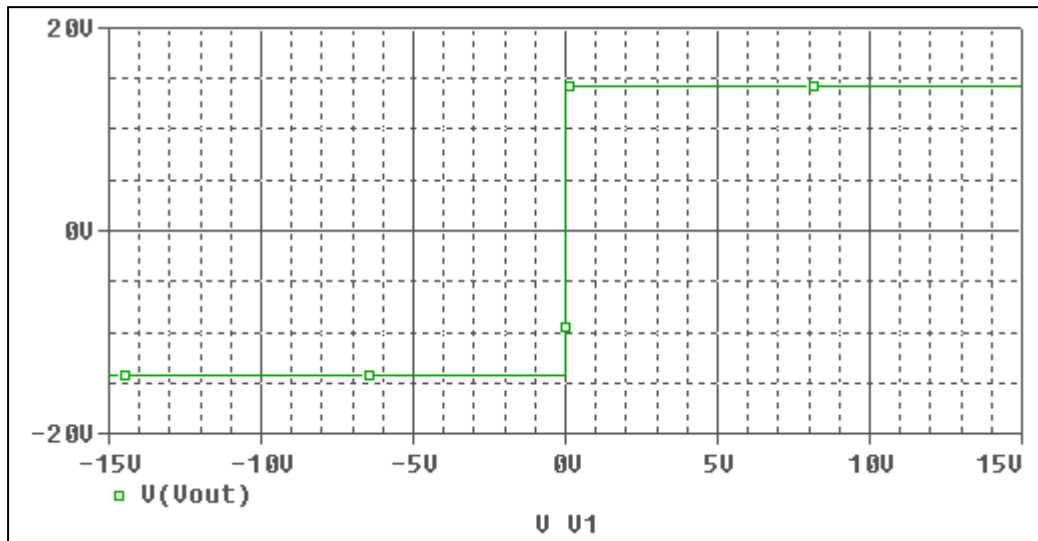
COMPONENTS:MOSFET: OPERATIONAL AMPLIFIER
PART NUMBER:NJM2132
MANUFACTURER: NEW JAPAN RADIO CO.,LTD



Bee Technologies Inc.

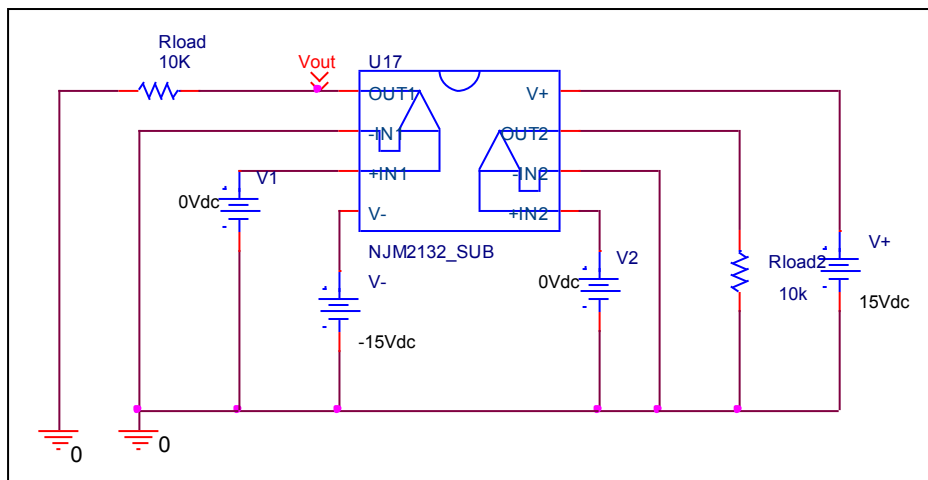
Output Voltage Swing, +Vout and -Vout

Simulation result



These simulation results are compared with $\pm V_{out}$

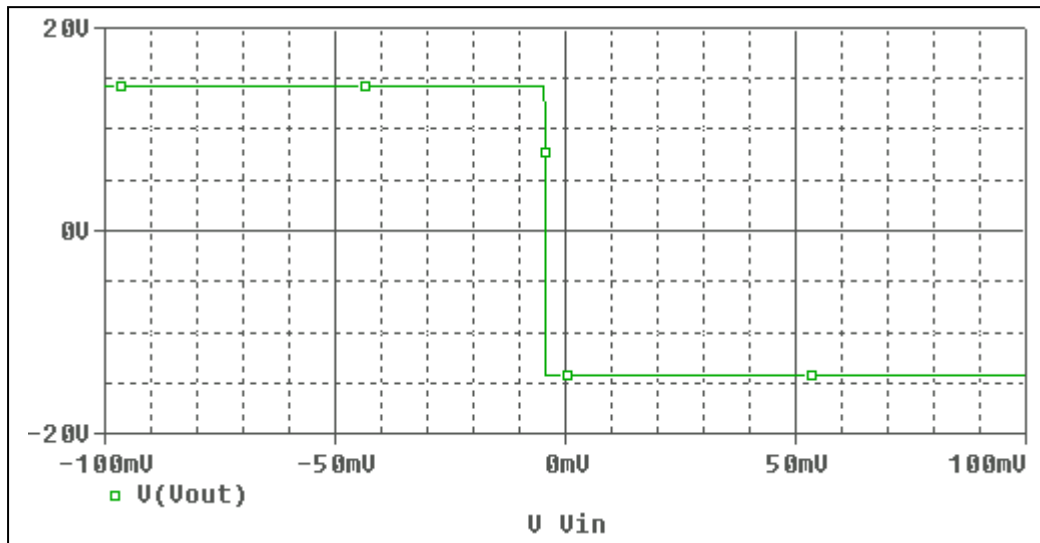
Evaluation circuit



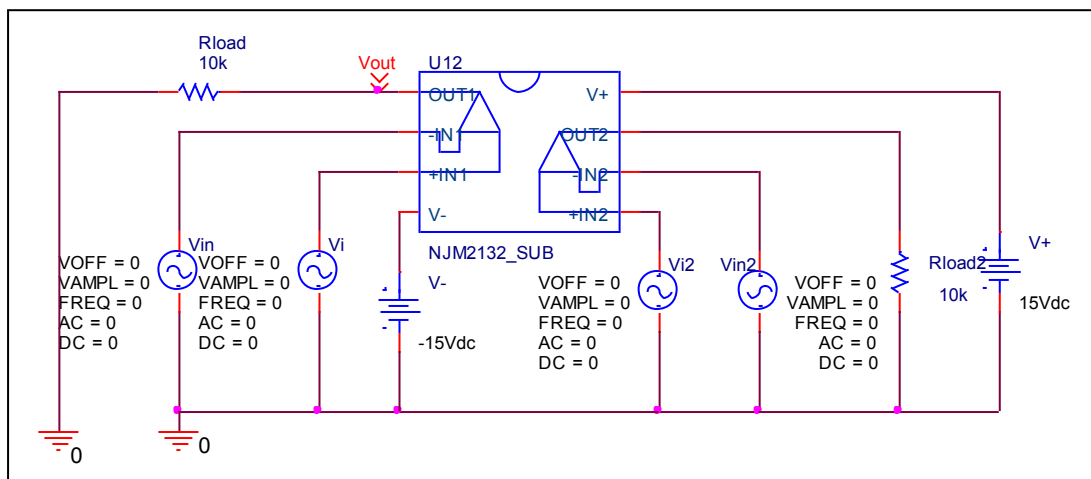
Output Voltage Swing	Data sheet	Simulation	%Error
+Vout(V)	+14.2	14.208	0.056
-Vout(V)	-14.2	-14.208	0.056

Input Offset Voltage

Simulation result



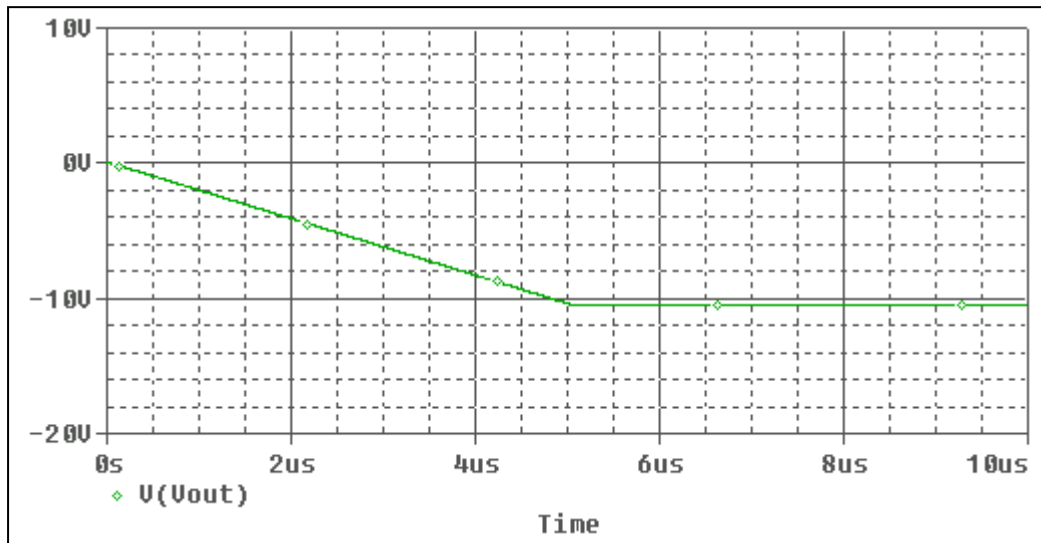
Evaluation circuit



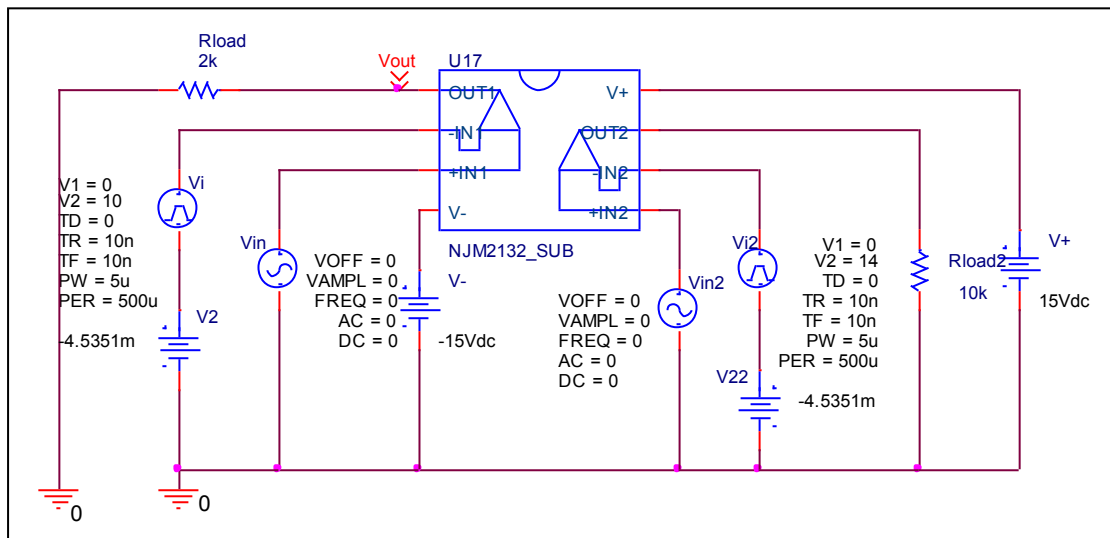
Vos	Measurement		Simulation		Error	
		4.5	mV	4.5351	mV	0.78

Slew Rate, +SR, -SR

Simulation result



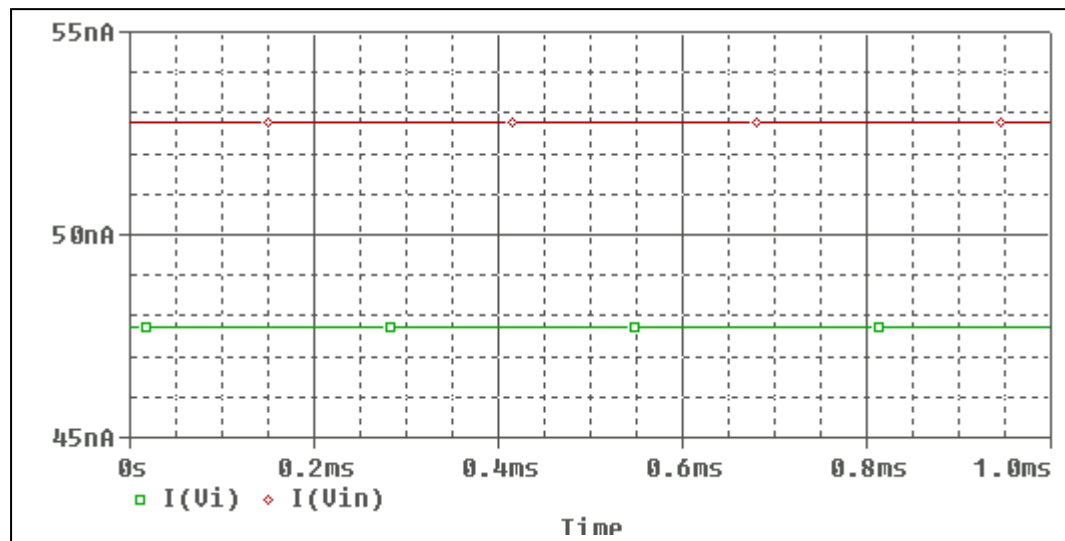
Evaluation circuit



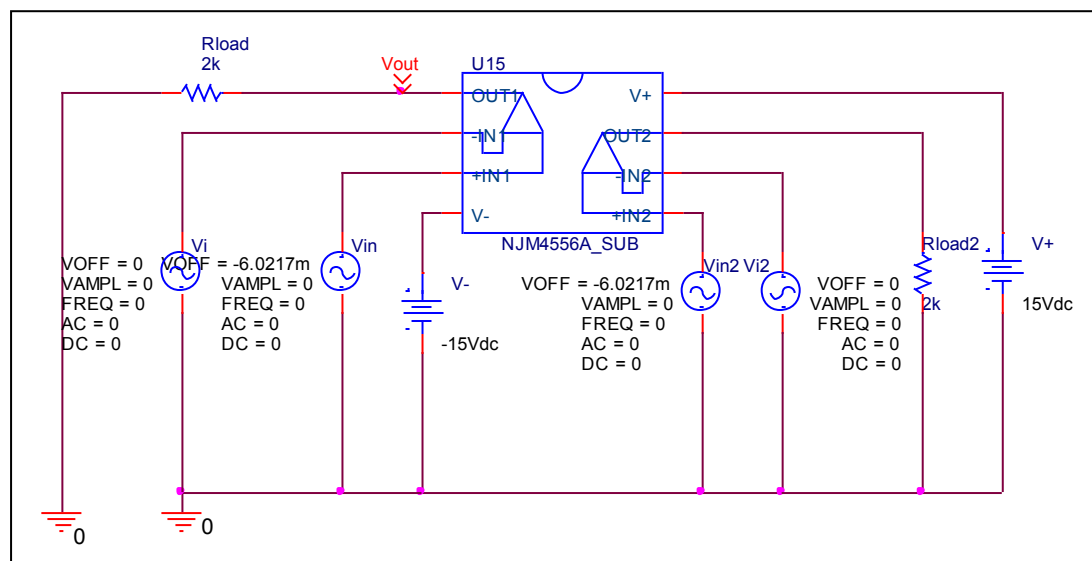
Slew Rate(v/us)	Data sheet	Simulation	%Error
		2.1V/us	2.2V/us

Input current Ib, Ibos

Simulation result



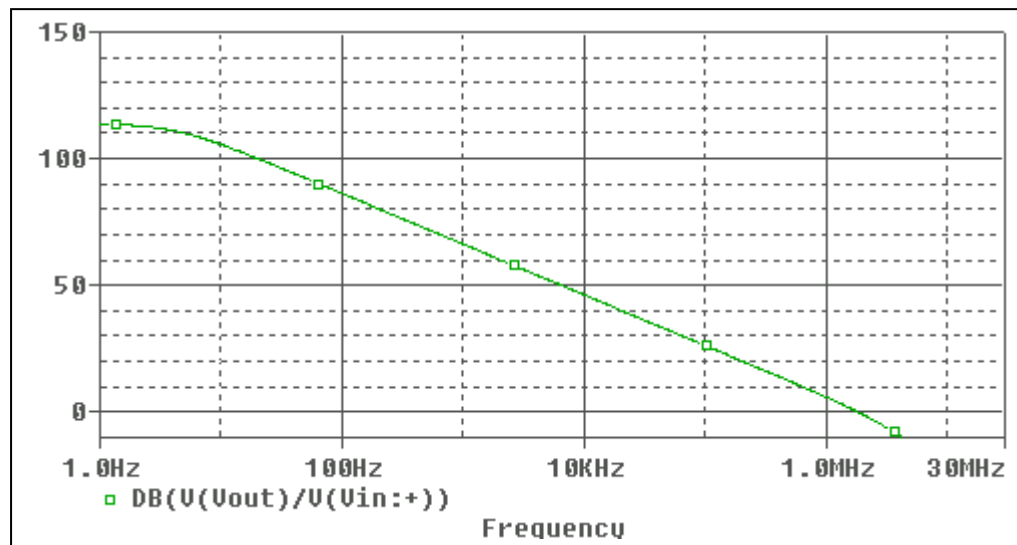
Evaluation circuit



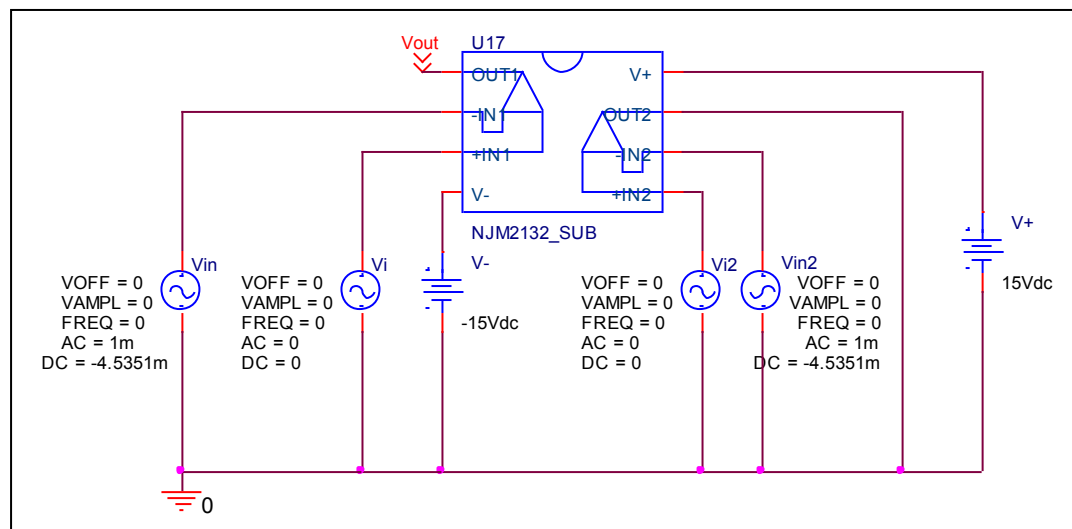
	Data sheet	Simulation	%Error
Ib(nA)	20	20.1	0.5
Ibos(nA)	5	5.02	0.4

Open Loop Voltage Gain vs. Frequency , Av-dc, f-0dB

Simulation result



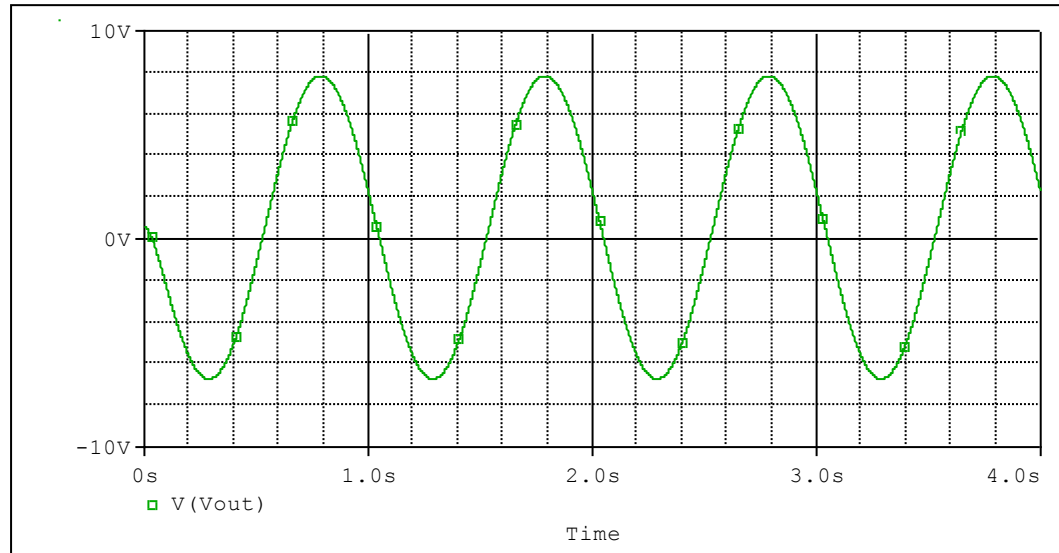
Evaluation circuit



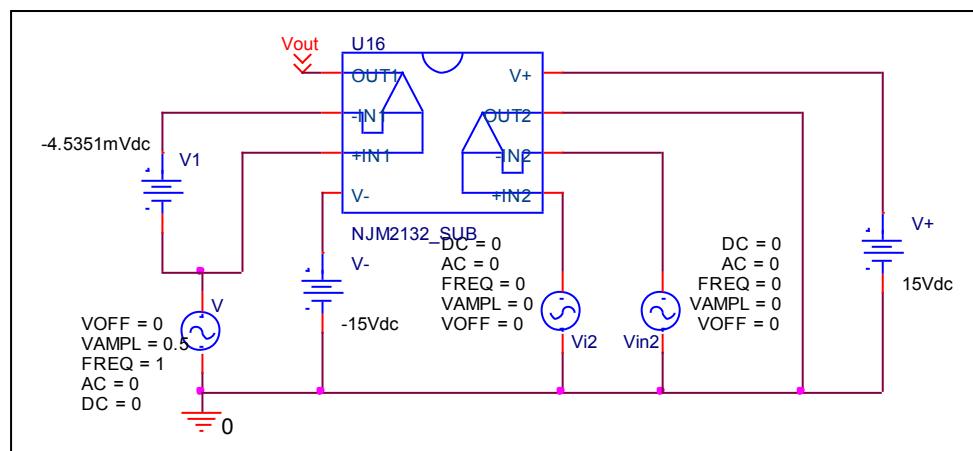
	Data sheet	Simulation	%Error
f-0dB(MHz)	1.8	1.82	1.11
Av-dc(dB)	114	113.8	0.175

Common-Mode Rejection Voltage gain

Simulation result



Evaluation circuit



Common Mode Reject Ratio= $489778/14.564=33629.36$

CMRR	Data sheet	Simulation	%Error
		90	90.534