

Device Modeling Report

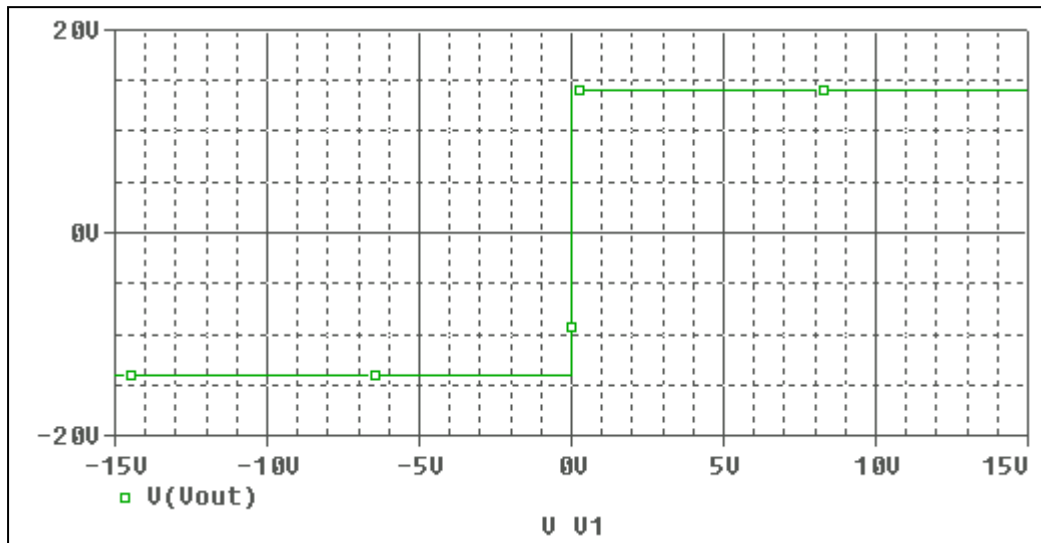
COMPONENTS:MOSFET: OPERATIONAL AMPLIFIER
PART NUMBER:NJM3403AV
MANUFACTURER: NEW JAPAN RADIO CO.,LTD



Bee Technologies Inc.

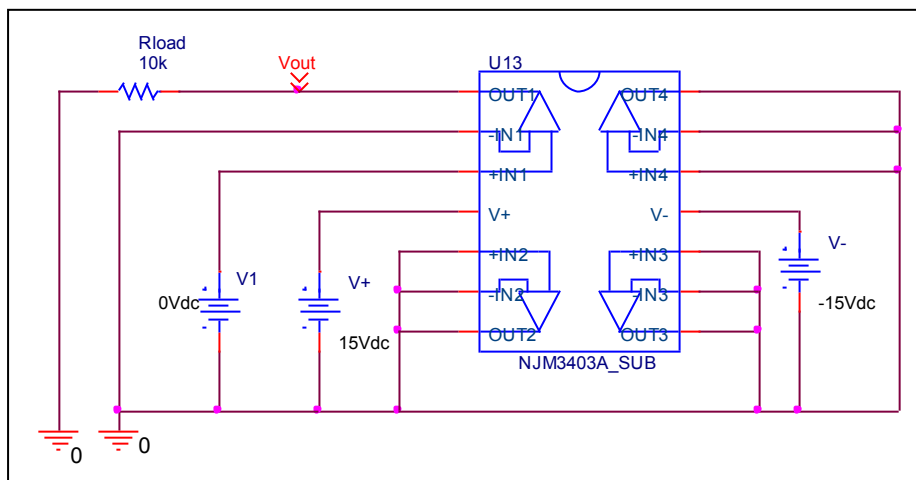
Output Voltage Swing, +Vout and -Vout

Simulation result



These simulation results are compared with $\pm V_{out}$

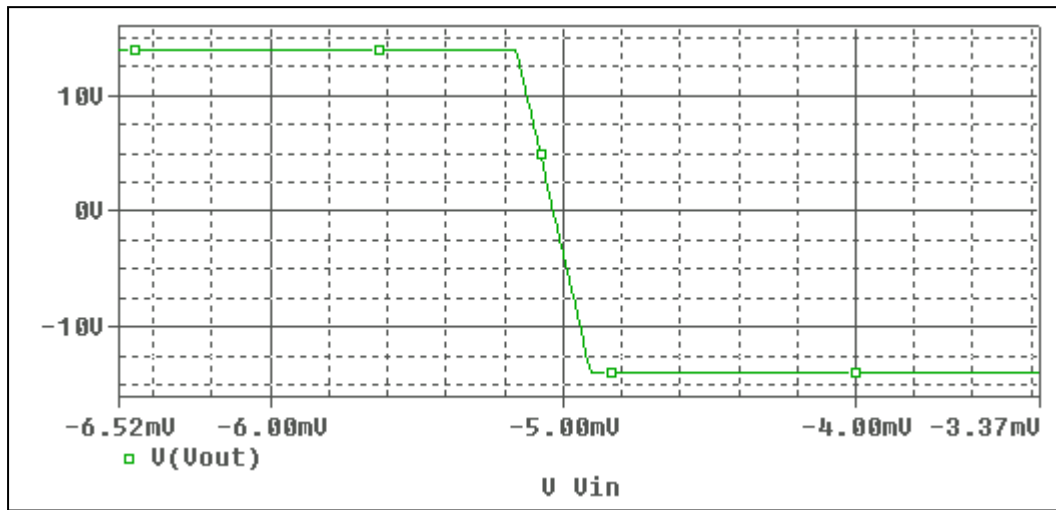
Evaluation circuit



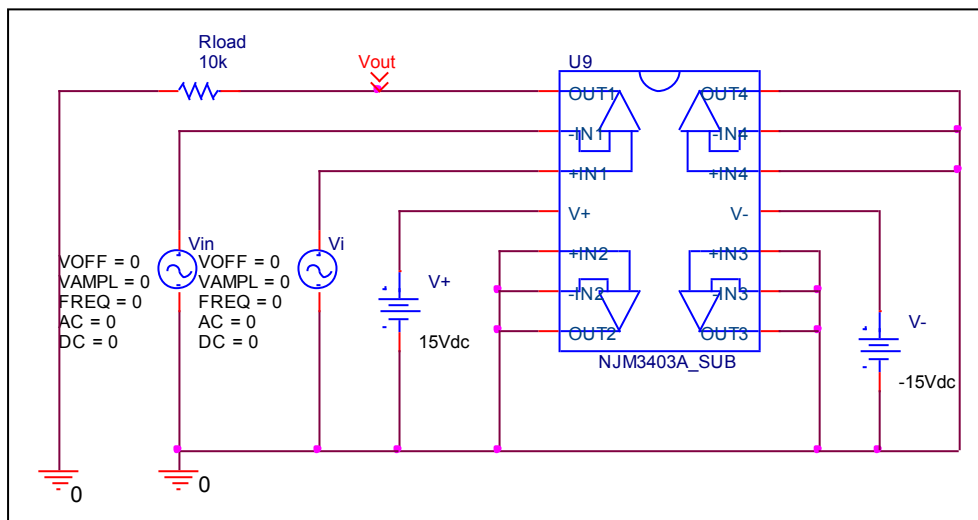
Output Voltage Swing	Data sheet	Simulation	%Error
+Vout(V)	+14	13.991	0.064
-Vout(V)	-14	-13.991	0.064

Input Offset Voltage

Simulation result



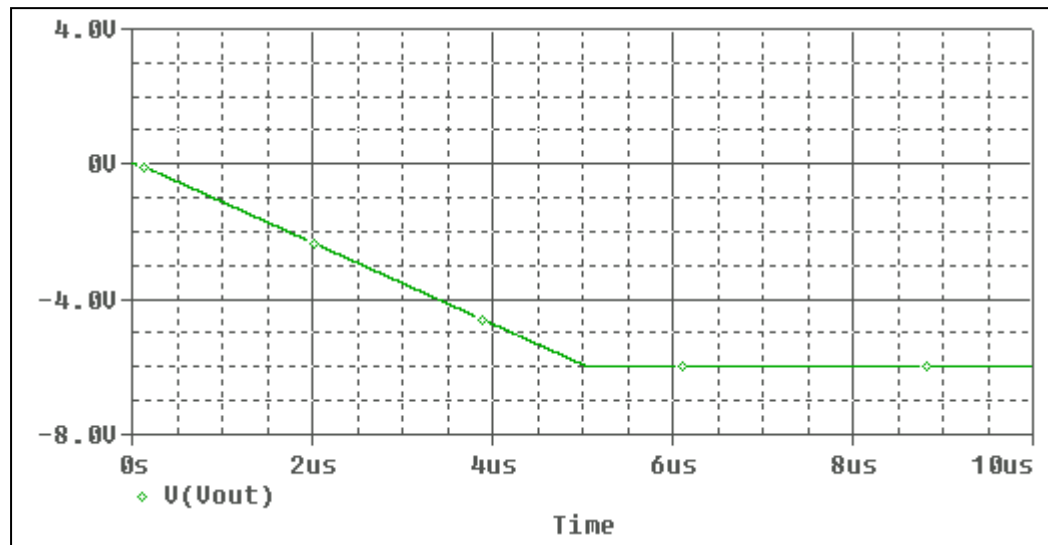
Evaluation circuit



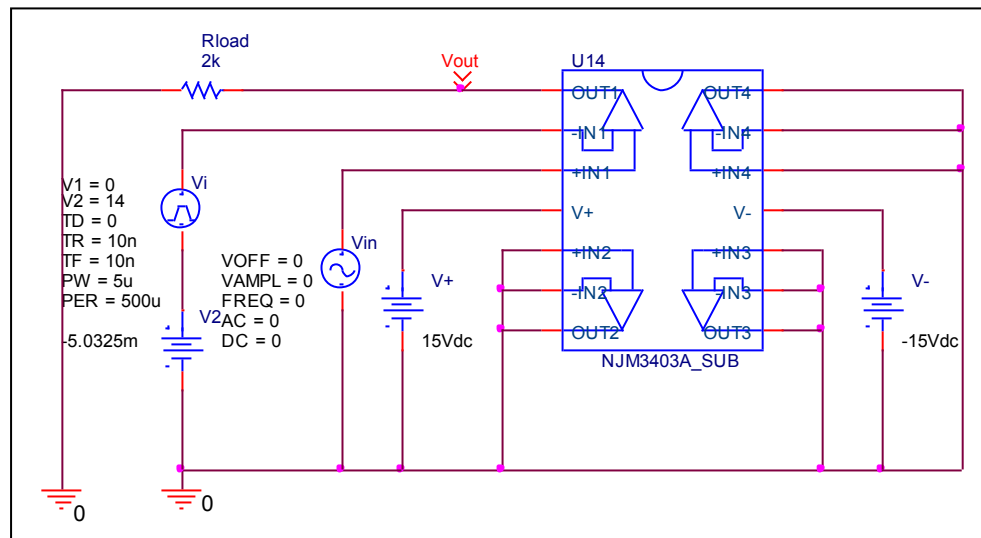
Vos	Measurement		Simulation		Error	
	5	mV	5.0325	mV	0.65	%

Slew Rate, +SR, -SR

Simulation result



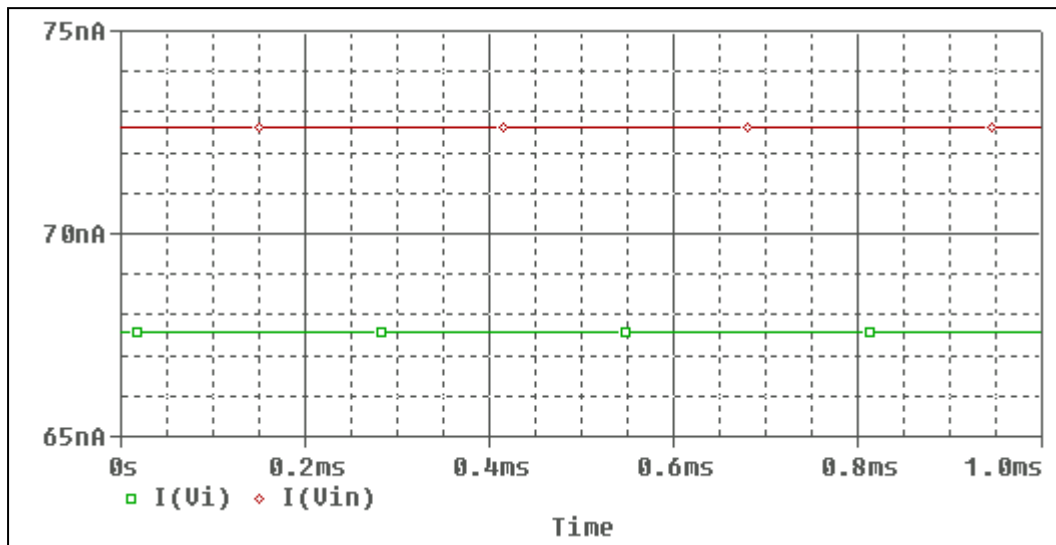
Evaluation circuit



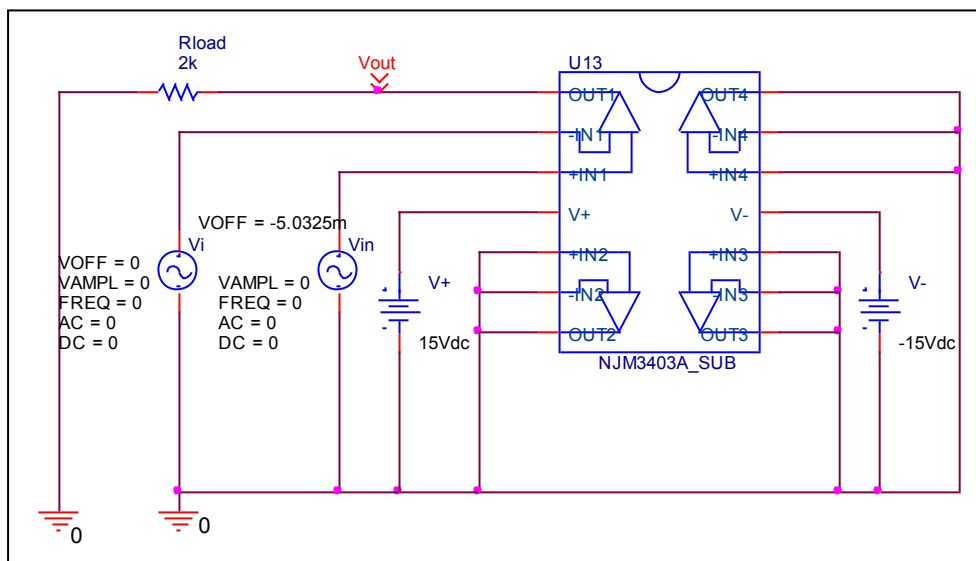
Slew Rate(v/us)	Data sheet	Simulation	%Error
		1.2V/us	1.203V/us

Input current Ib, Ibos

Simulation result



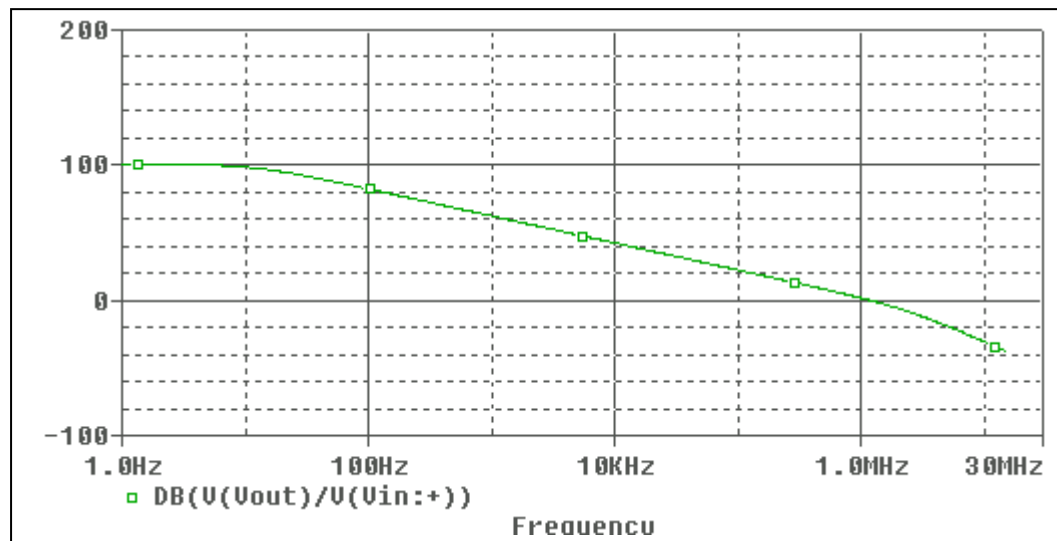
Evaluation circuit



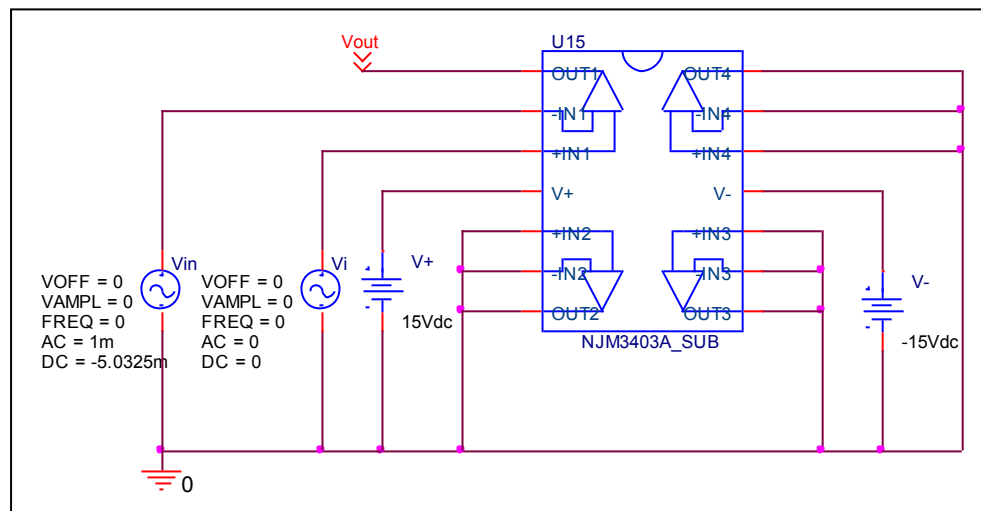
	Data sheet	Simulation	%Error
Ib(nA)	70	70.1005	0.143
Ibos(nA)	5	5.0036	0.072

Open Loop Voltage Gain vs. Frequency , Av-dc, f-0dB

Simulation result



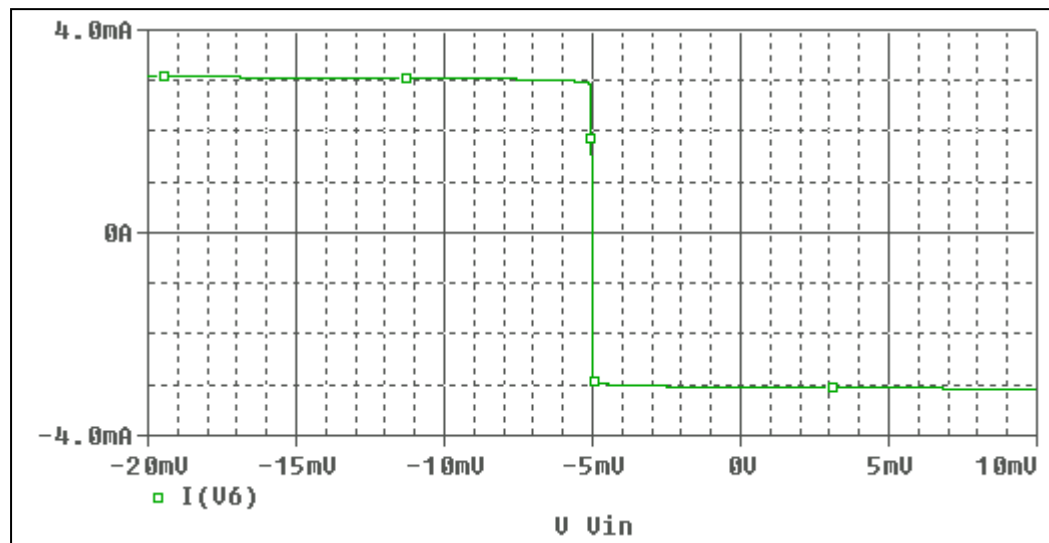
Evaluation circuit



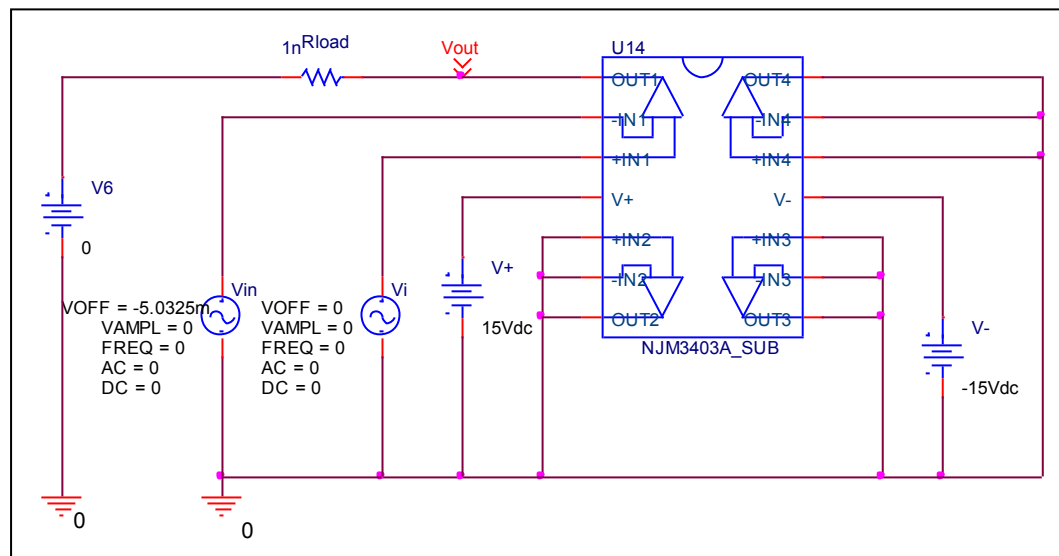
	Data sheet	Simulation	%Error
f-0dB(MHz)	1.2	1.188	1
Av-dc(dB)	100	100.3	0.3

Output Short Circuit Current - Ios

Simulation result



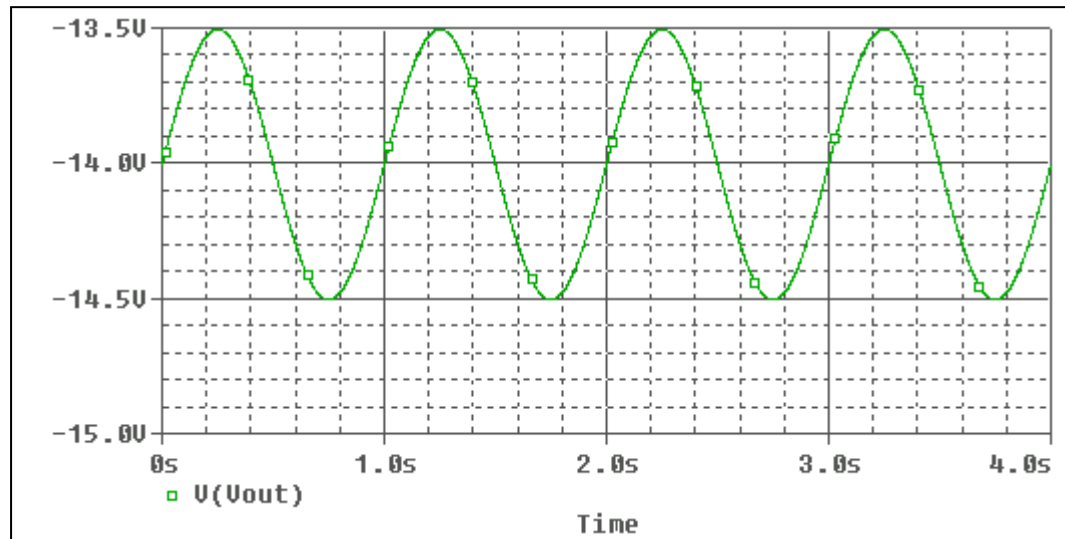
Evaluation circuit



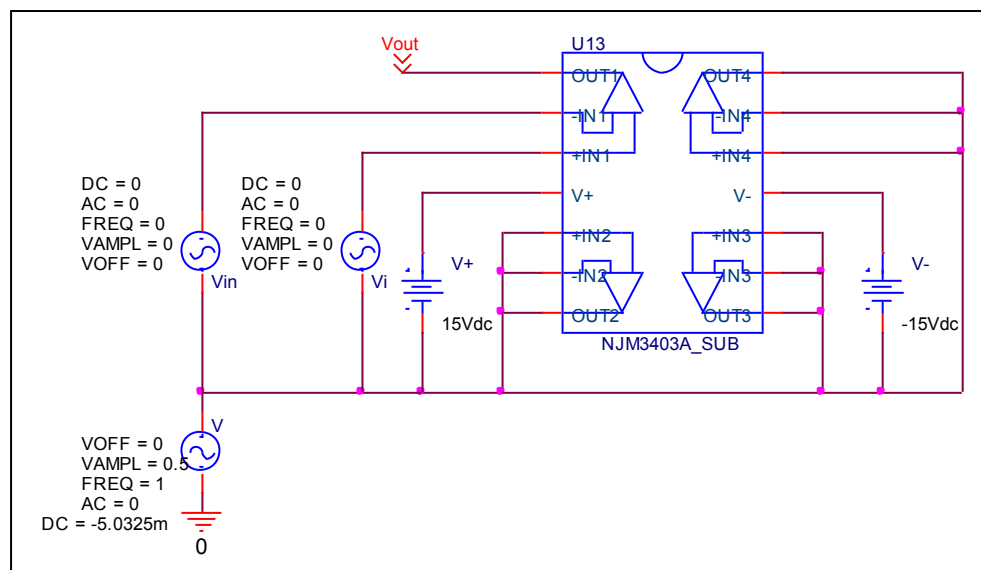
Short Circuit Current	Data sheet	Simulation	%Error
		3mA	3.015mA

Common-Mode Rejection Voltage gain

Simulation result



Evaluation circuit



Common mode gain=3.162/1

Common Mode Reject Ratio=103514/3.162=32736

CMRR	Data sheet	Simulation	%Error
		31622	32736