

Device Modeling Report

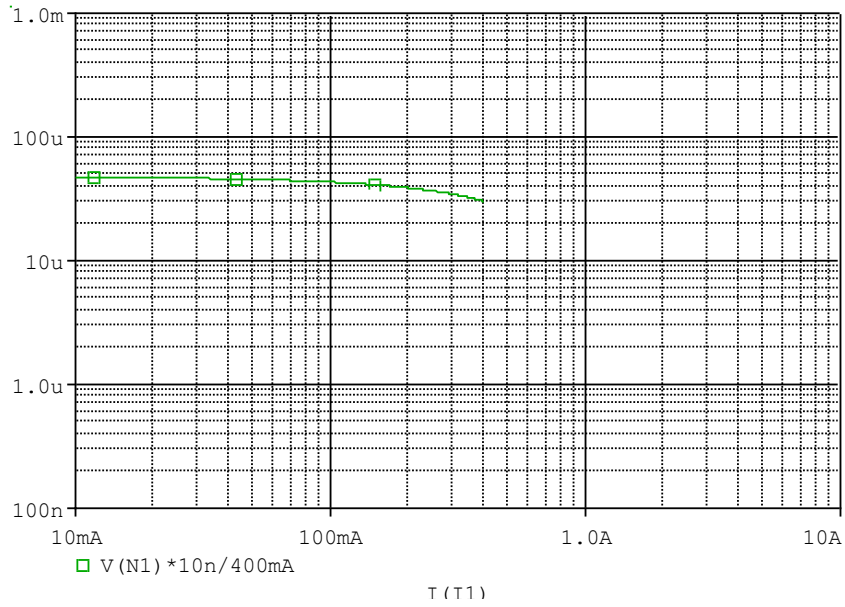
COMPONENTS: Inductance
PART NUMBER: LQH3NPN470MM0
MANUFACTURER: Murata Manufacturing Co., Ltd.
Remark: DC Model



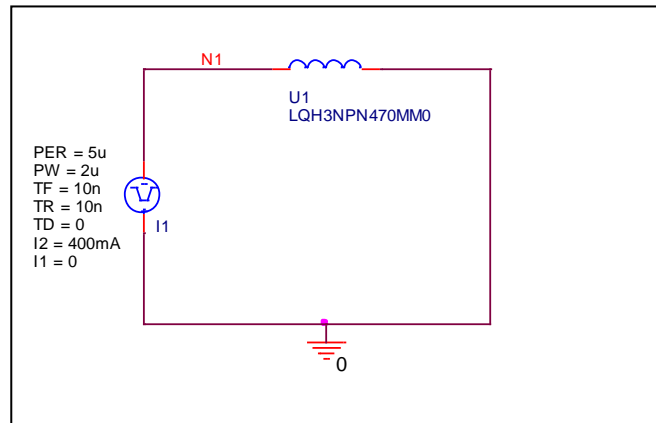
Bee Technologies Inc.

Inductance-Current Characteristics

Circuit Simulation result

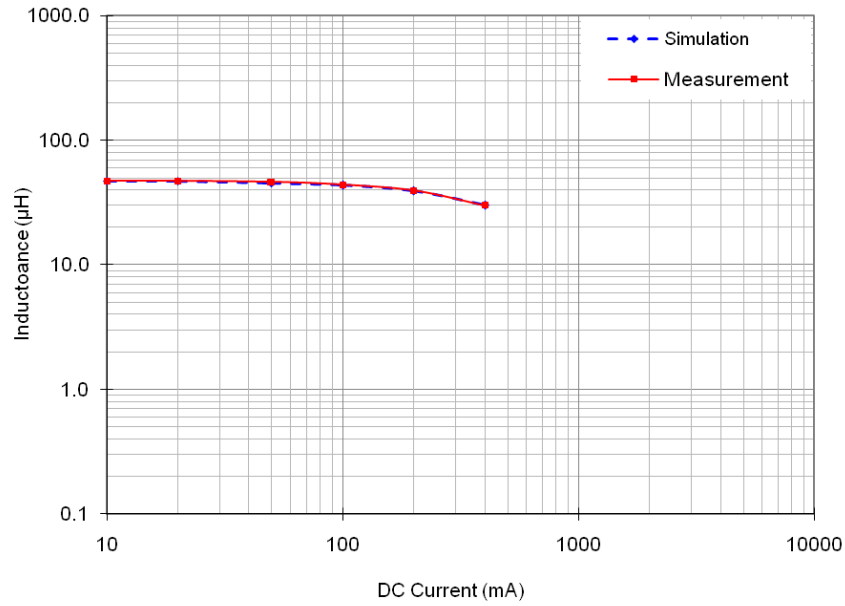


Evaluation circuit



Comparison Graph

Simulation result



Comparison table

I (mA)	L (µH)		%Error
	Measurement	Simulation	
10	47.000	47.167	0.36
20	47.000	46.734	-0.57
50	46.000	45.436	-1.23
100	44.000	43.272	-1.65
200	39.500	38.943	-1.41
400	30.000	30.286	0.95