

Device Modeling Report

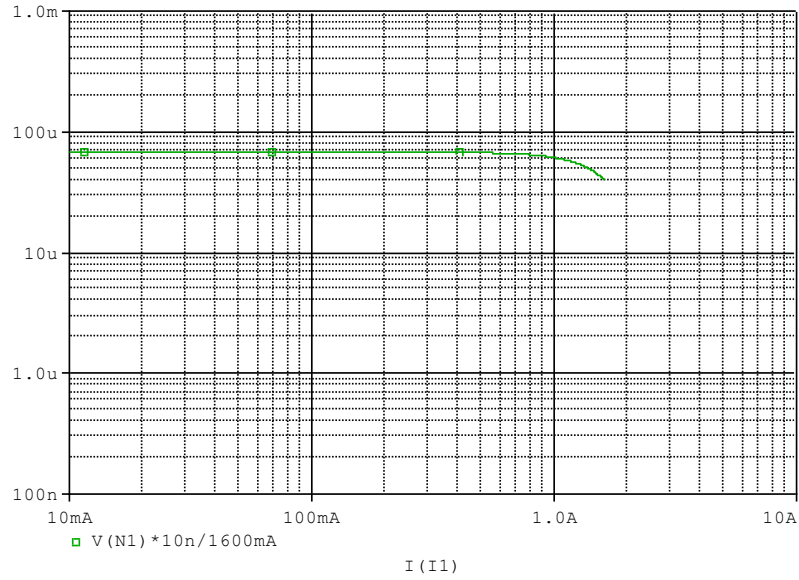
COMPONENTS: Inductor DC Model
PART NUMBER: LQH6PPN680M43
MANUFACTURER: Murata Manufacturing Co, Ltd.
Remark: DC Model



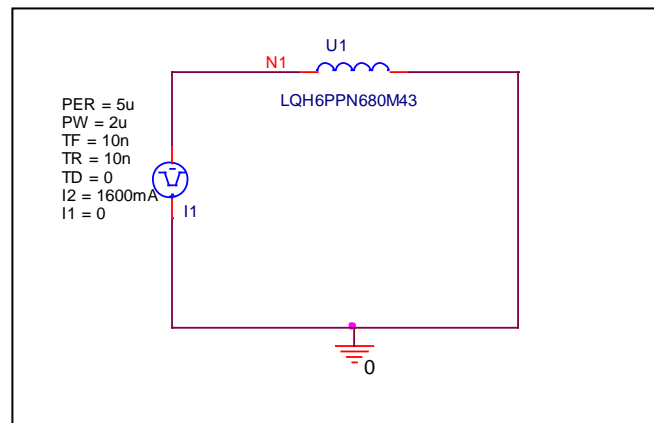
Bee Technologies Inc.

Inductance-Current Characteristics

Circuit Simulation result

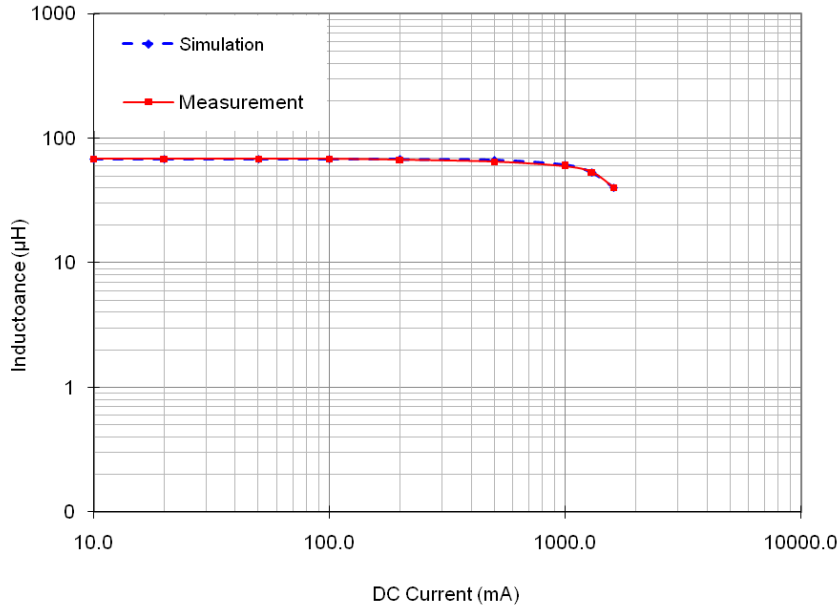


Evaluation circuit



Comparison Graph

Simulation result



Comparison table

I (mA)	L (µH)		%Error
	Measurement	Simulation	
10	68.000	68.000	0.00
20	68.000	68.000	0.00
50	68.000	67.999	0.00
100	68.000	67.993	-0.01
200	67.000	67.946	1.41
500	64.500	67.151	4.11
1000	59.500	61.202	2.86
1300	53.000	53.063	0.12
1600	40.000	40.150	0.37