

# Device Modeling Report

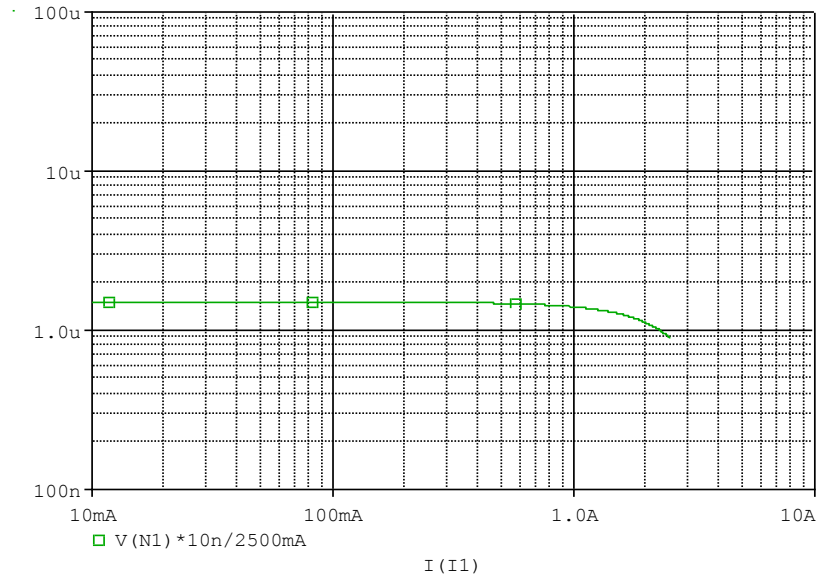
COMPONENTS: Inductance  
PART NUMBER: LQH44PN1R5MJ0  
MANUFACTURER: Murata Manufacturing Co., Ltd.  
Remark: DC Model



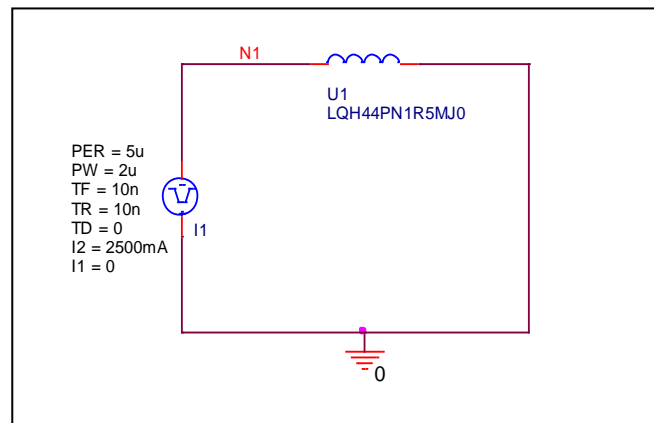
**Bee Technologies Inc.**

# Inductance-Current Characteristics

## Circuit Simulation result

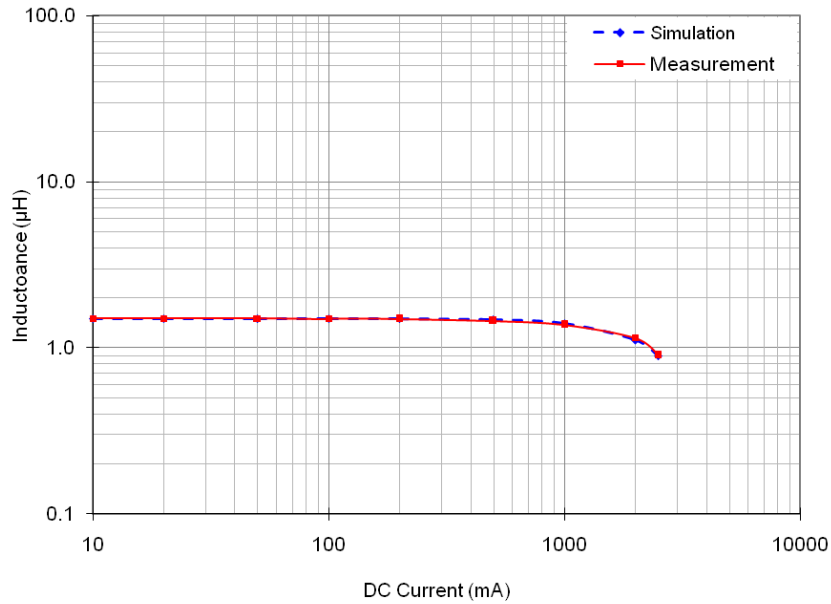


## Evaluation circuit



# Comparison Graph

## Simulation result



## Comparison table

I (mA)	L (µH)		%Error
	Measurement	Simulation	
10	1.500	1.500	0.00
20	1.500	1.500	0.00
50	1.500	1.499	-0.07
100	1.495	1.499	0.27
200	1.490	1.496	0.40
500	1.450	1.475	1.72
1000	1.375	1.403	2.04
2000	1.145	1.113	-2.79
2500	0.900	0.895	-0.56