

Device Modeling Report

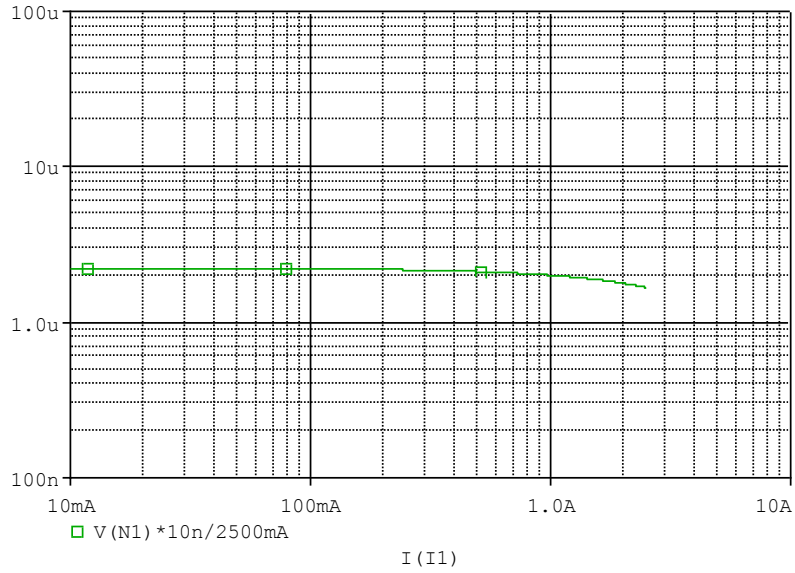
COMPONENTS: Inductance
PART NUMBER: LQH44PN2R2MP0
MANUFACTURER: Murata Manufacturing Co., Ltd.
Remark: DC Model



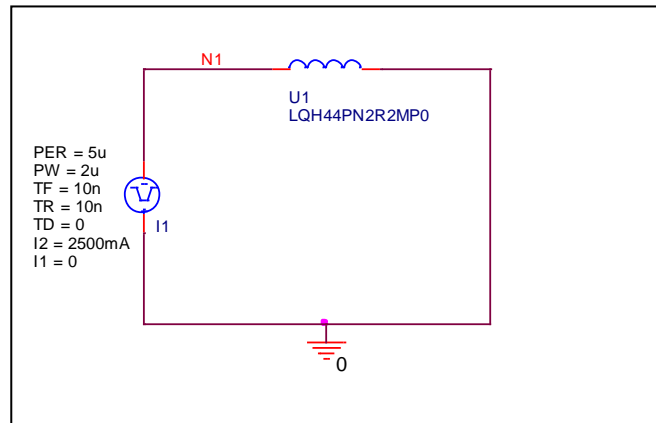
Bee Technologies Inc.

Inductance-Current Characteristics

Circuit Simulation result

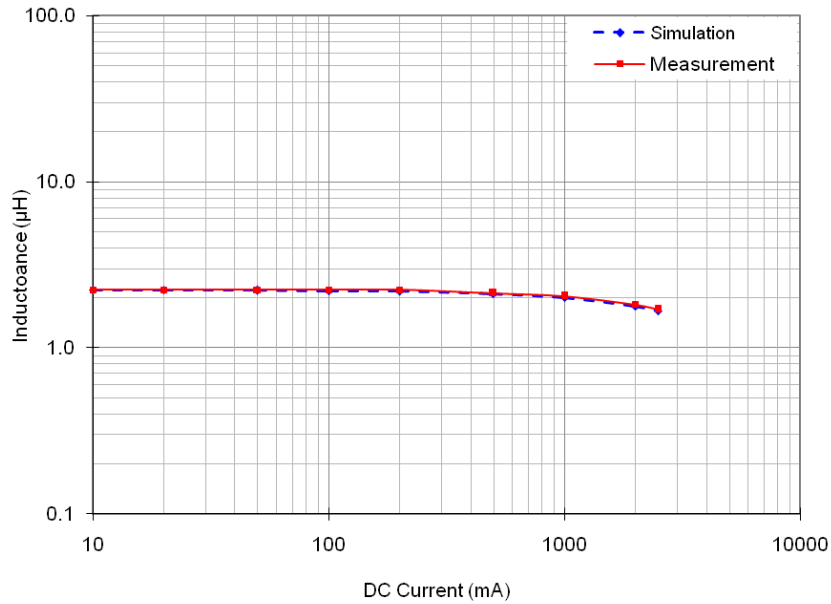


Evaluation circuit



Comparison Graph

Simulation result



Comparison table

I (mA)	L (µH)		%Error
	Measurement	Simulation	
10	2.230	2.227	-0.13
20	2.230	2.225	-0.22
50	2.230	2.218	-0.54
100	2.230	2.207	-1.03
200	2.225	2.185	-1.80
500	2.130	2.118	-0.56
1000	2.045	2.007	-1.86
2000	1.820	1.784	-1.98
2500	1.700	1.672	-1.65