

Device Modeling Report

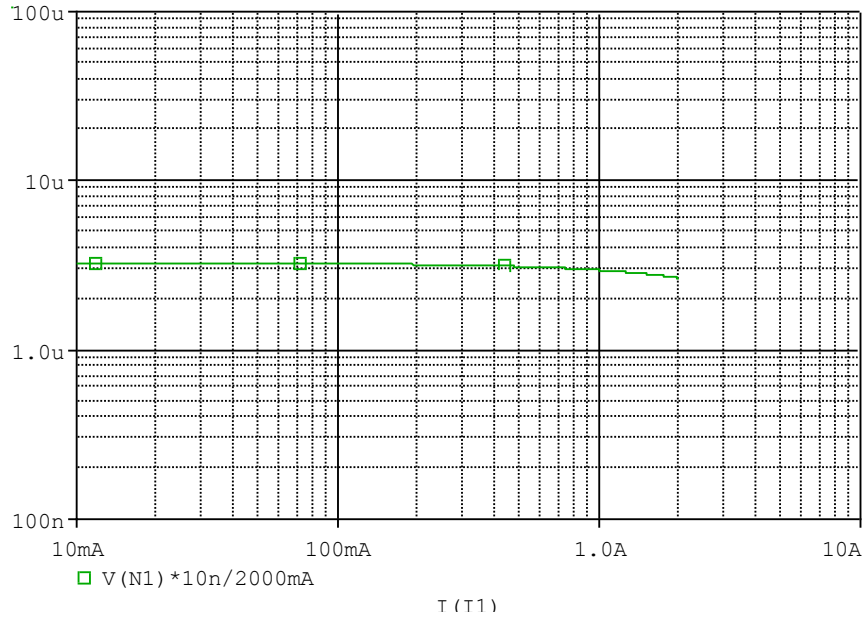
COMPONENTS: Inductance
PART NUMBER: LQH44PN3R3MP0
MANUFACTURER: Murata Manufacturing Co., Ltd.
Remark: DC Model



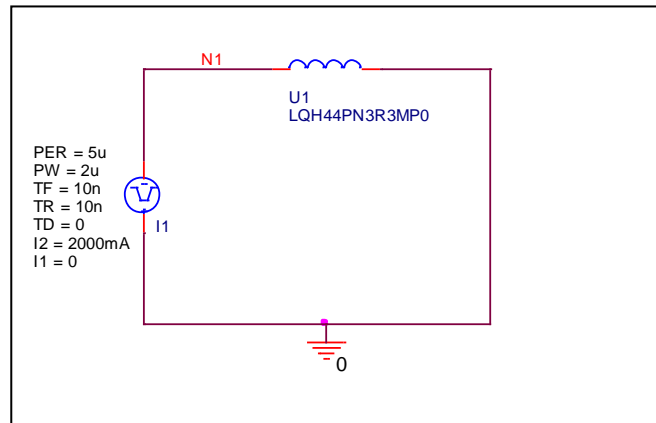
Bee Technologies Inc.

Inductance-Current Characteristics

Circuit Simulation result

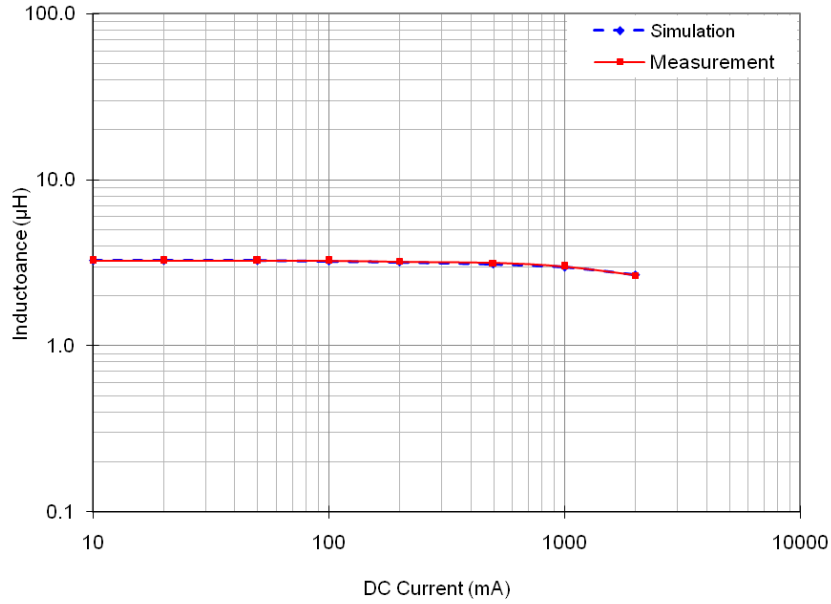


Evaluation circuit



Comparison Graph

Simulation result



Comparison table

I (mA)	L (µH)		%Error
	Measurement	Simulation	
10	3.250	3.257	0.22
20	3.250	3.254	0.12
50	3.250	3.245	-0.15
100	3.250	3.230	-0.62
200	3.220	3.201	-0.59
500	3.150	3.113	-1.17
1000	3.000	2.966	-1.13
2000	2.650	2.673	0.87