

Device Modeling Report

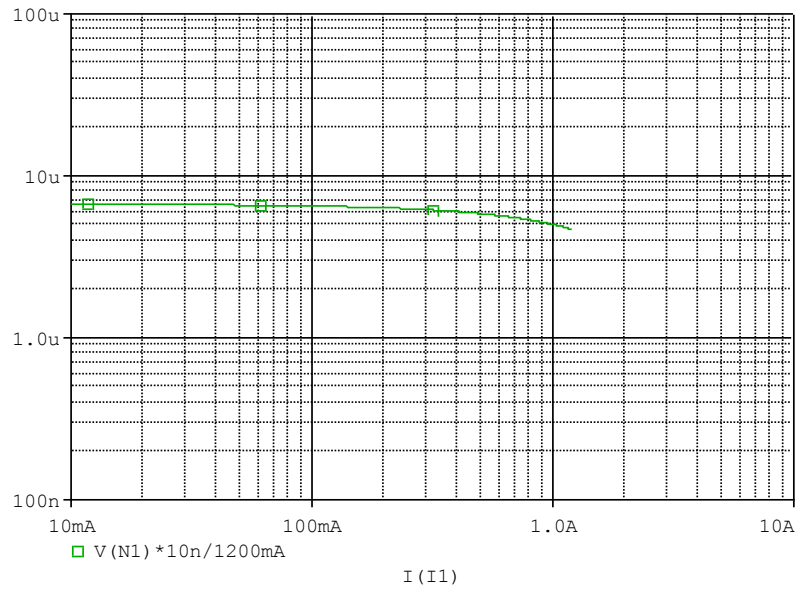
COMPONENTS: Inductance
PART NUMBER: LQH44PN6R8MJ0
MANUFACTURER: Murata Manufacturing Co., Ltd.
Remark: DC Model



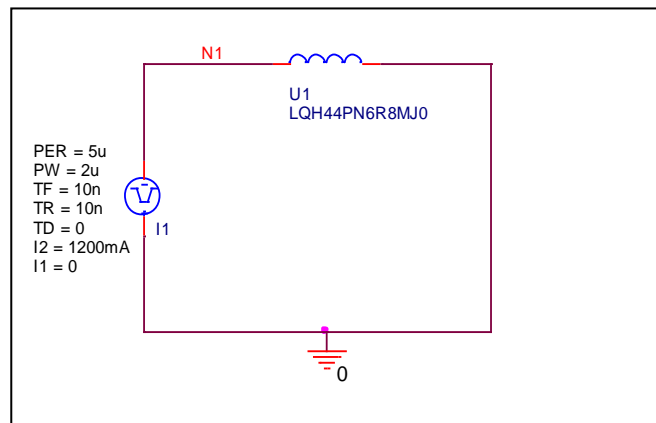
Bee Technologies Inc.

Inductance-Current Characteristics

Circuit Simulation result

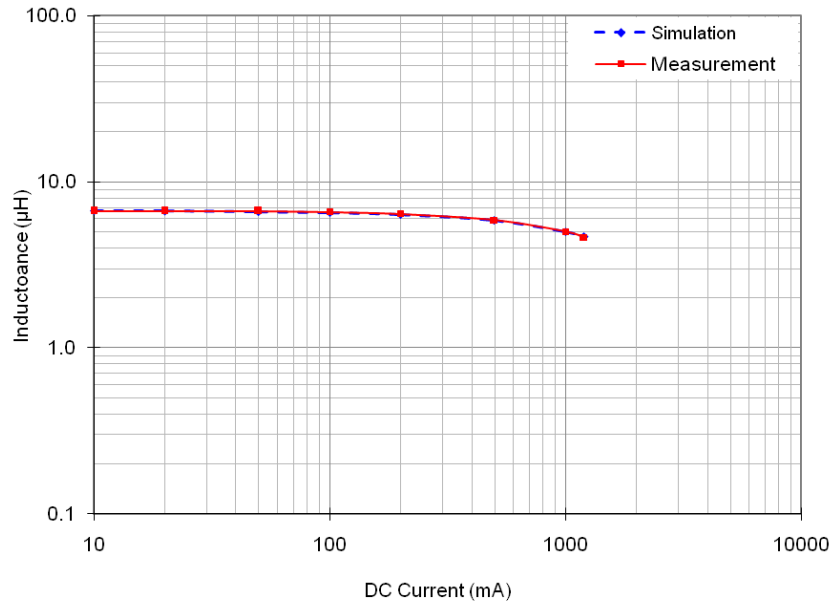


Evaluation circuit



Comparison Graph

Simulation result



Comparison table

I (mA)	L (µH)		%Error
	Measurement	Simulation	
10	6.650	6.663	0.20
20	6.650	6.646	-0.06
50	6.650	6.596	-0.81
100	6.575	6.513	-0.94
200	6.400	6.346	-0.84
500	5.850	5.845	-0.09
1000	5.000	5.011	0.22
1200	4.625	4.677	1.12