

Device Modeling Report

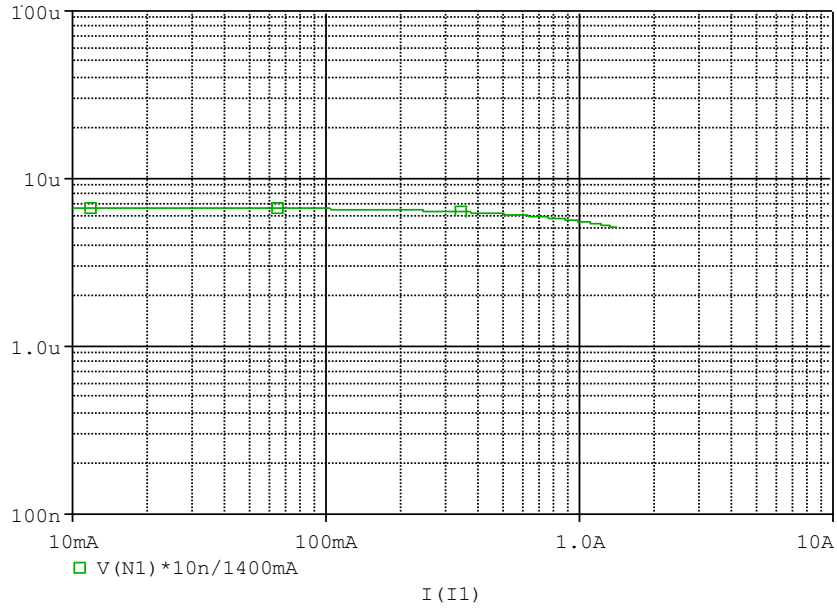
COMPONENTS: Inductance
PART NUMBER: LQH44PN6R8MP0
MANUFACTURER: Murata Manufacturing Co., Ltd.
Remark: DC Model



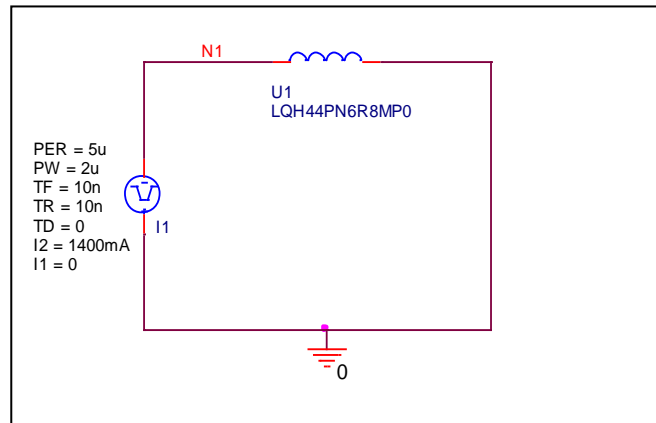
Bee Technologies Inc.

Inductance-Current Characteristics

Circuit Simulation result

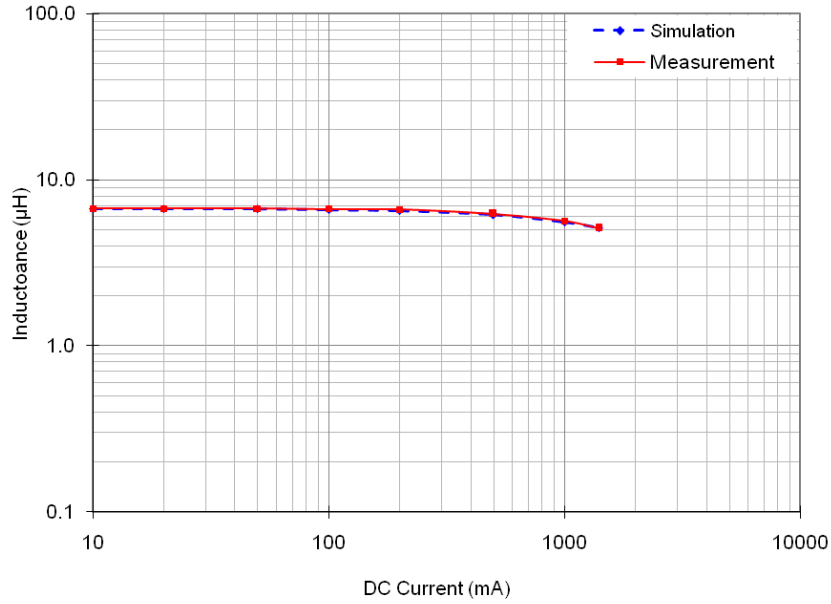


Evaluation circuit



Comparison Graph

Simulation result



Comparison table

I (mA)	L (µH)		%Error
	Measurement	Simulation	
10	6.700	6.708	0.12
20	6.700	6.697	-0.04
50	6.700	6.663	-0.55
100	6.660	6.606	-0.81
200	6.600	6.492	-1.64
500	6.225	6.149	-1.22
1000	5.625	5.579	-0.83
1400	5.100	5.122	0.43