

Device Modeling Report

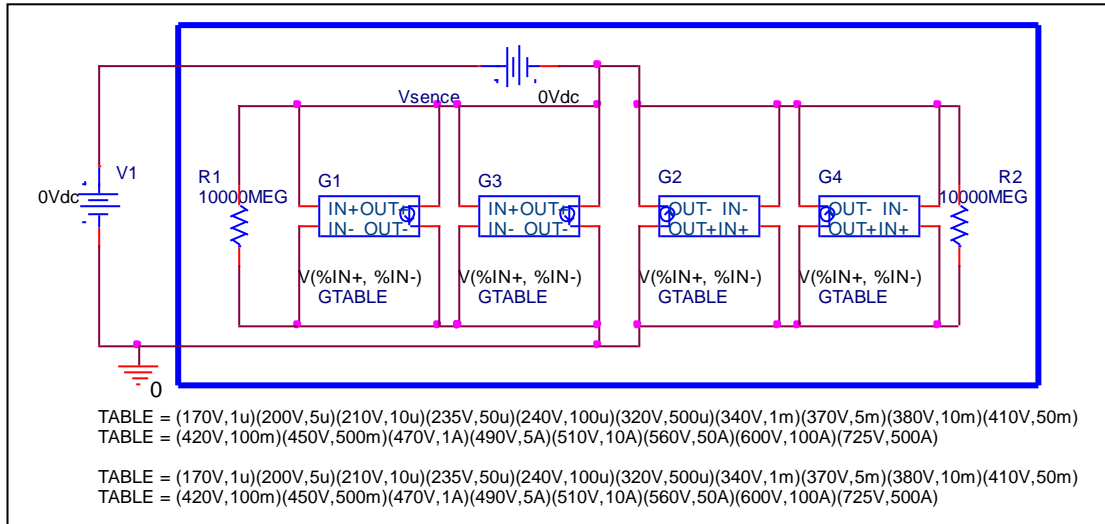
COMPONENTS: ZNR Transient/Surge Absorber
PART NUMBER: ERZV05D271
MANUFACTURER: Panasonic



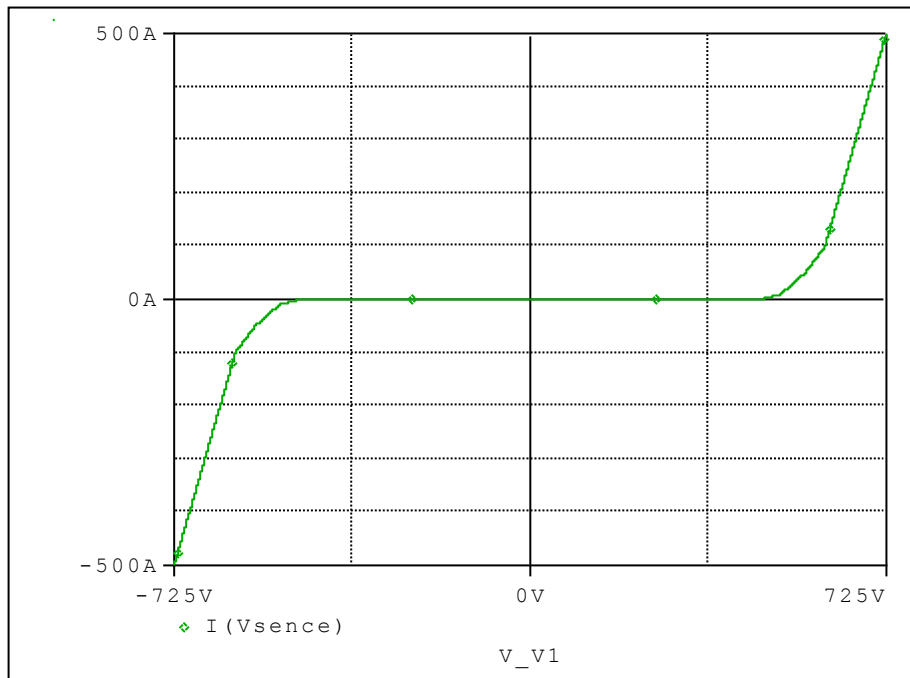
Bee Technologies Inc.

ZNR Transient /Surge Absorber

Evaluation Circuit



Circuit Simulation Result



ZNR Transient /Surge Absorber

Simulation Result

I(A)	VFwd (V)		Error (%)
	Measurement	Simulation	
1.00E-06	170.000	177.300	4.294
5.00E-06	200.000	202.000	1.000
1.00E-05	210.000	210.500	0.238
5.00E-05	235.000	235.000	0.000
1.00E-04	240.000	240.100	0.042
5.00E-04	320.000	320.400	0.125
1.00E-03	340.000	340.000	0.000
5.00E-03	370.000	370.000	0.000
1.00E-02	380.000	380.100	0.026
5.00E-02	410.000	410.100	0.024
1.00E-01	420.000	420.000	0.000
5.00E-01	450.000	449.800	0.044
1.00E+00	470.000	470.100	0.021
5.00E+00	490.000	489.900	0.020
1.00E+01	510.000	510.100	0.020
5.00E+01	560.000	559.700	0.054
1.00E+02	600.000	599.700	0.050
5.00E+02	725.000	725.000	0.000

Comparison Graph

