

Device Modeling Report

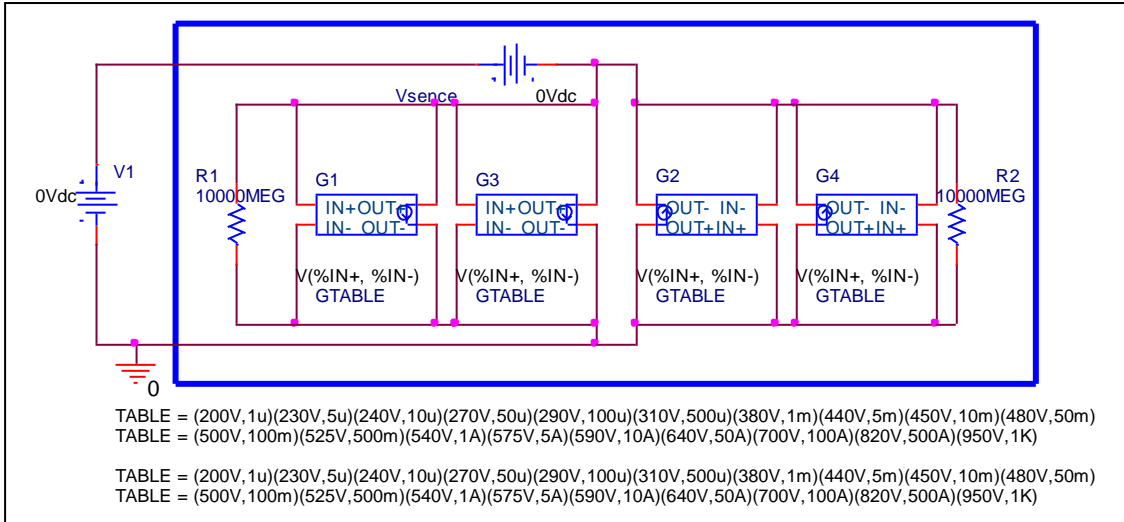
COMPONENTS: ZNR Transient/Surge Absorber
PART NUMBER: ERZV07D361
MANUFACTURER: Panasonic



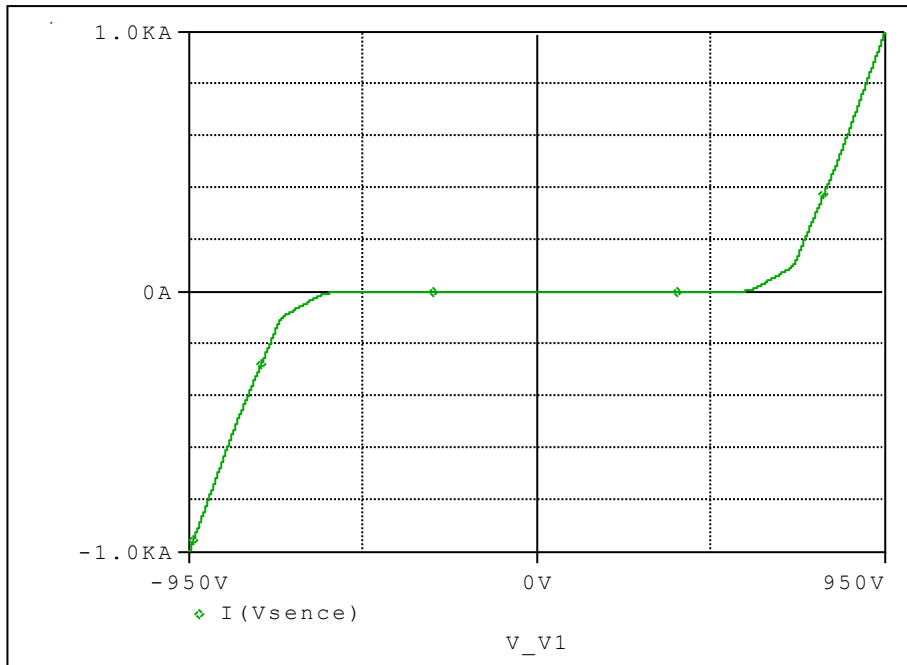
Bee Technologies Inc.

ZNR Transient /Surge Absorber

Evaluation Circuit



Circuit Simulation Result



ZNR Transient /Surge Absorber

Simulation Result

I(A)	VFwd (V)		% Error
	Measurement	Simulation	
1.00E-06	200.000	207.100	3.550
5.00E-06	230.000	231.800	0.783
1.00E-05	240.000	240.700	0.292
5.00E-05	270.000	270.500	0.185
1.00E-04	290.000	289.500	0.172
5.00E-04	310.000	309.300	0.226
1.00E-03	380.000	379.100	0.237
5.00E-03	440.000	440.100	0.023
1.00E-02	450.000	450.000	0.000
5.00E-02	480.000	479.800	0.042
1.00E-01	500.000	499.900	0.020
5.00E-01	525.000	524.500	0.095
1.00E+00	540.000	539.900	0.019
5.00E+00	575.000	574.900	0.017
1.00E+01	590.000	590.100	0.017
5.00E+01	640.000	640.100	0.016
1.00E+02	700.000	699.700	0.043
5.00E+02	820.000	820.100	0.012
1.00E+03	950.000	950.000	0.000

Comparison Graph

