

Device Modeling Report

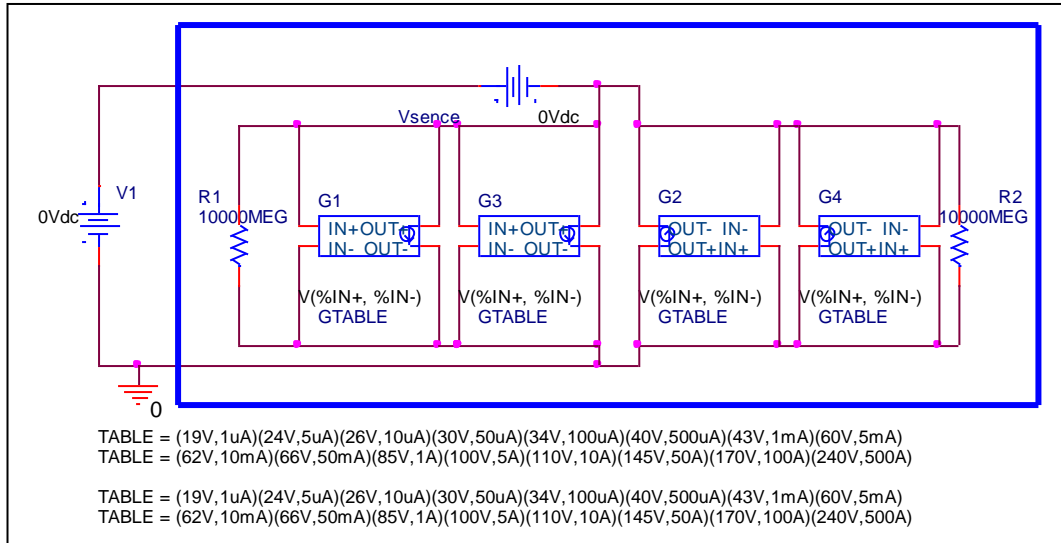
COMPONENTS: ZNR Transient/Surge Absorber
PART NUMBER: ERZV07D470
MANUFACTURER: Panasonic



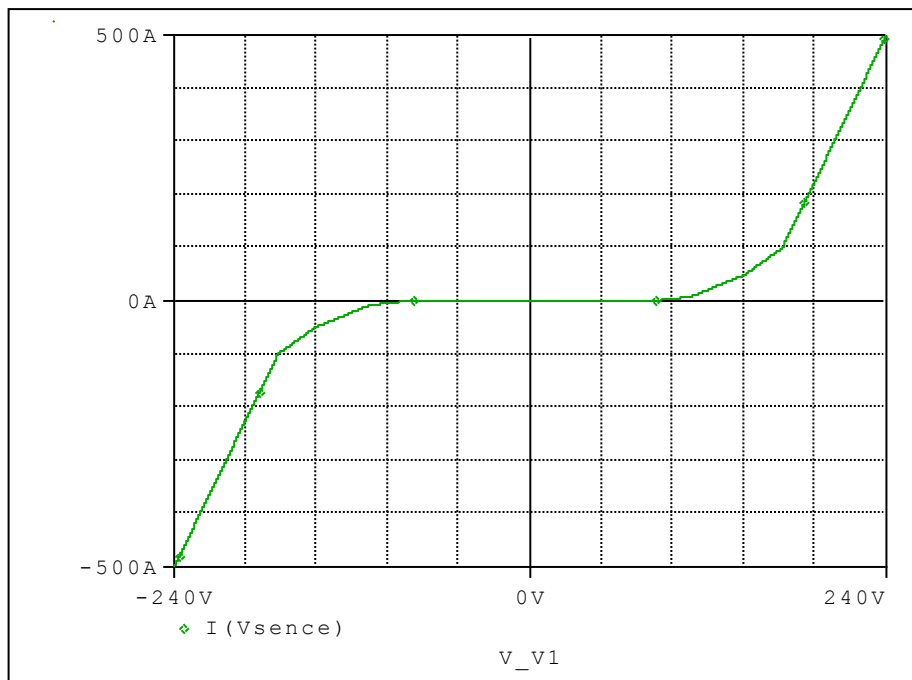
Bee Technologies Inc.

ZNR Transient /Surge Absorber

Evaluation Circuit



Circuit Simulation Result



ZNR Transient /Surge Absorber

Simulation Result

I(A)	VFwd (V)		%Error
	Measurement	Simulation	
1.00E-06	19.000	20.250	6.579
5.00E-06	24.000	24.300	1.250
1.00E-05	26.000	26.100	0.385
5.00E-05	30.000	30.000	0.000
1.00E-04	34.000	34.000	0.000
5.00E-04	40.000	40.000	0.000
1.00E-03	43.000	43.000	0.000
5.00E-03	60.000	60.000	0.000
1.00E-02	62.000	62.000	0.000
5.00E-02	66.000	66.000	0.000
1.00E+00	85.000	85.000	0.000
5.00E+00	100.000	100.000	0.000
1.00E+01	110.000	110.000	0.000
5.00E+01	145.000	145.000	0.000
1.00E+02	170.000	170.000	0.000
5.00E+02	240.000	240.000	0.000

Comparison Graph

