

Device Modeling Report

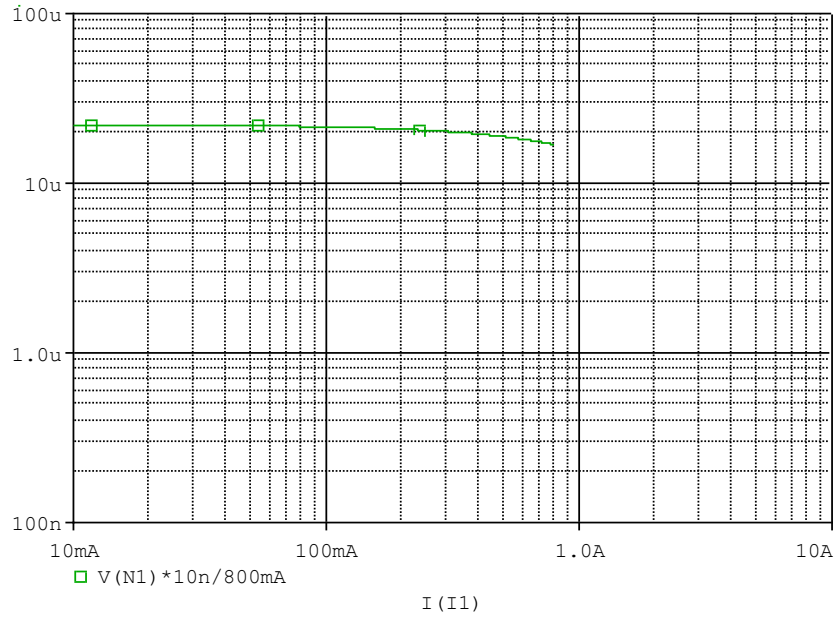
COMPONENTS: Inductance
PART NUMBER: LQH44PN220MP0
MANUFACTURER: Murata Manufacturing Co., Ltd.
Remark: DC Model



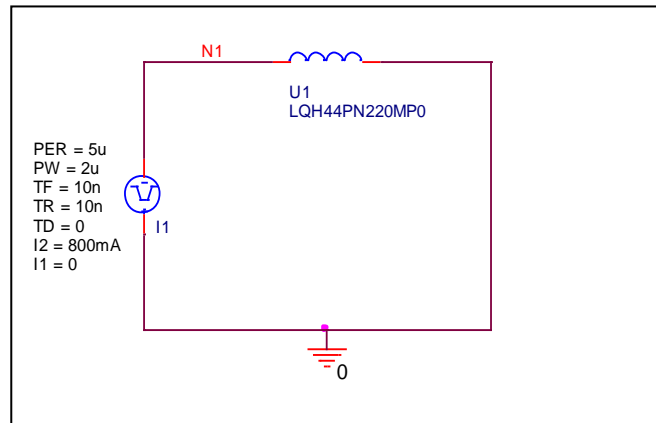
Bee Technologies Inc.

Inductance-Current Characteristics

Circuit Simulation result

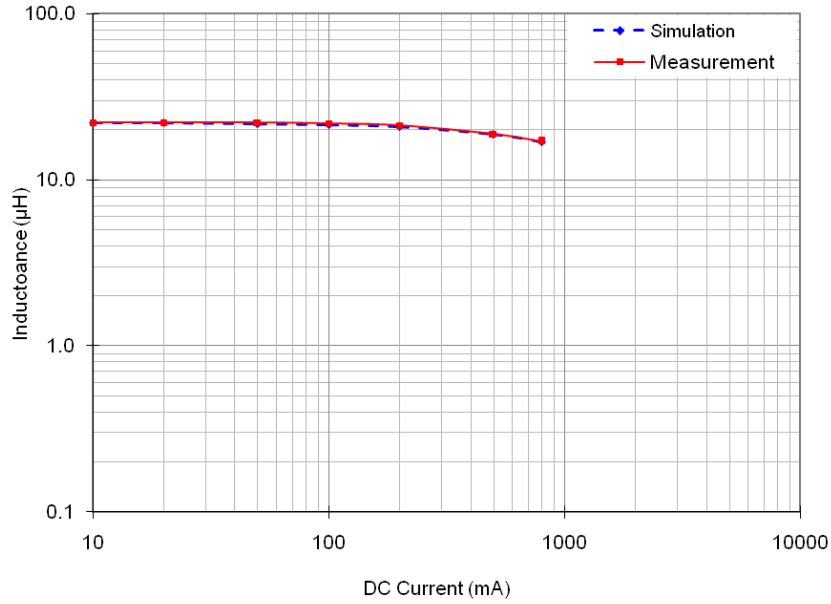


Evaluation circuit



Comparison Graph

Simulation result



Comparison table

I (mA)	L (µH)		%Error
	Measurement	Simulation	
10	22.000	22.084	0.38
20	22.000	22.017	0.08
50	22.000	21.818	-0.83
100	21.750	21.486	-1.21
200	21.150	20.822	-1.55
500	18.850	18.830	-0.11
800	17.000	16.838	-0.95