

# Device Modeling Report

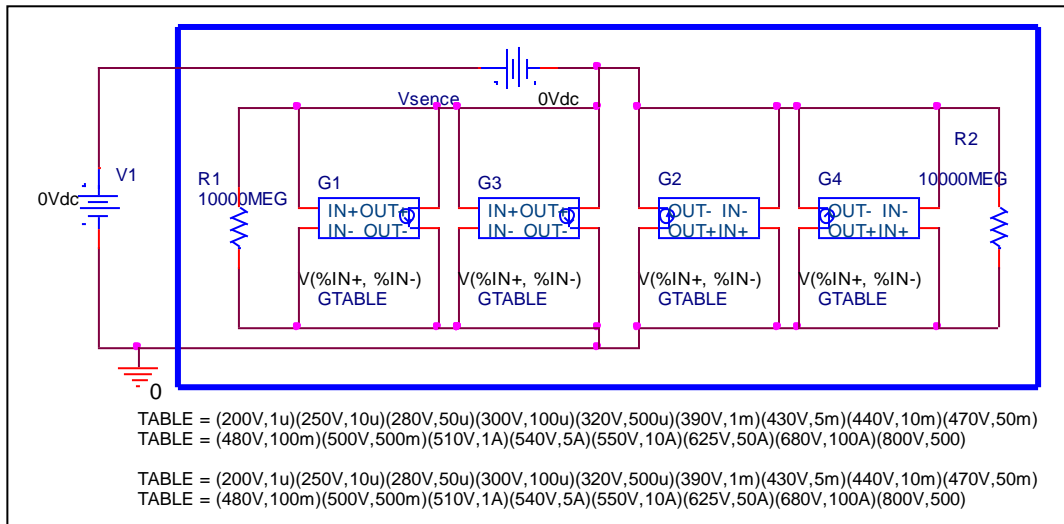
COMPONENTS: ZNR Transient/Surge Absorber  
PART NUMBER: ERZV10D361  
MANUFACTURER: Panasonic



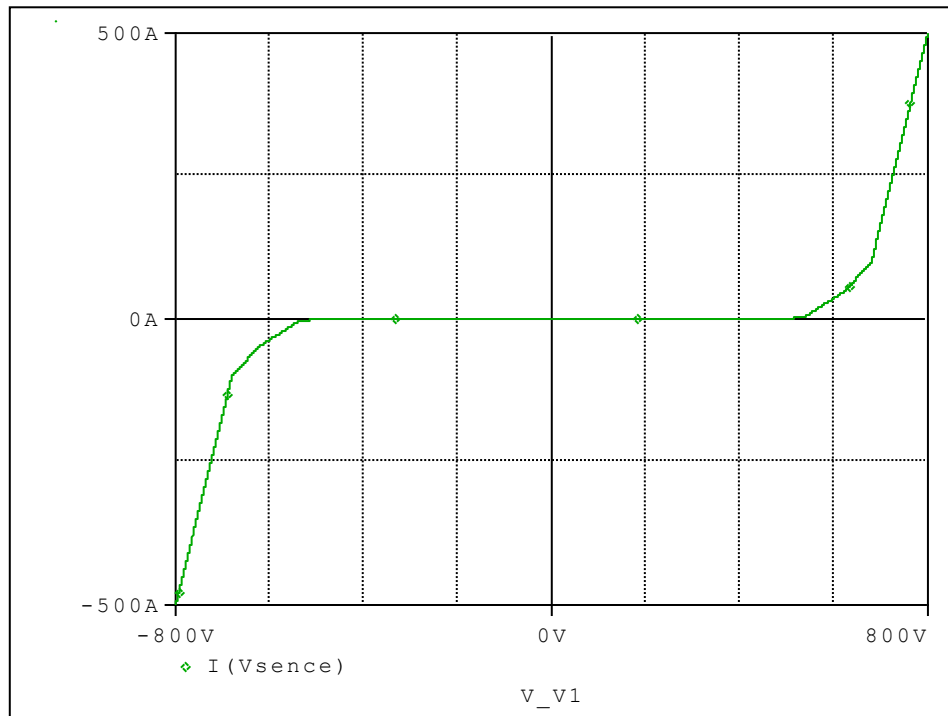
**Bee Technologies Inc.**

# ZNR Transient /Surge Absorber

## Evaluation Circuit Result



## Circuit Simulation Result



## ZNR Transient /Surge Absorber

### Simulation Result

I(A)	VFwd (V)		%Error
	Measurement	Simulation	
1.00E-06	200.000	205.320	2.660
1.00E-05	250.000	250.710	0.284
5.00E-05	280.000	280.370	0.132
1.00E-04	300.000	300.040	0.013
5.00E-04	320.000	320.130	0.041
1.00E-03	390.000	390.000	0.000
5.00E-03	430.000	430.000	0.000
1.00E-02	440.000	440.000	0.000
5.00E-02	470.000	470.000	0.000
1.00E-01	480.000	482.500	0.521
5.00E-01	500.000	501.000	0.200
1.00E+00	510.000	510.370	0.073
5.00E+00	540.000	540.100	0.019
1.00E+01	550.000	550.090	0.016
5.00E+01	625.000	625.050	0.008
1.00E+02	680.000	680.010	0.001
5.00E+02	800.000	800.000	0.000

## Comparison Graph

### Circuit Simulation Result

