

Device Modeling Report

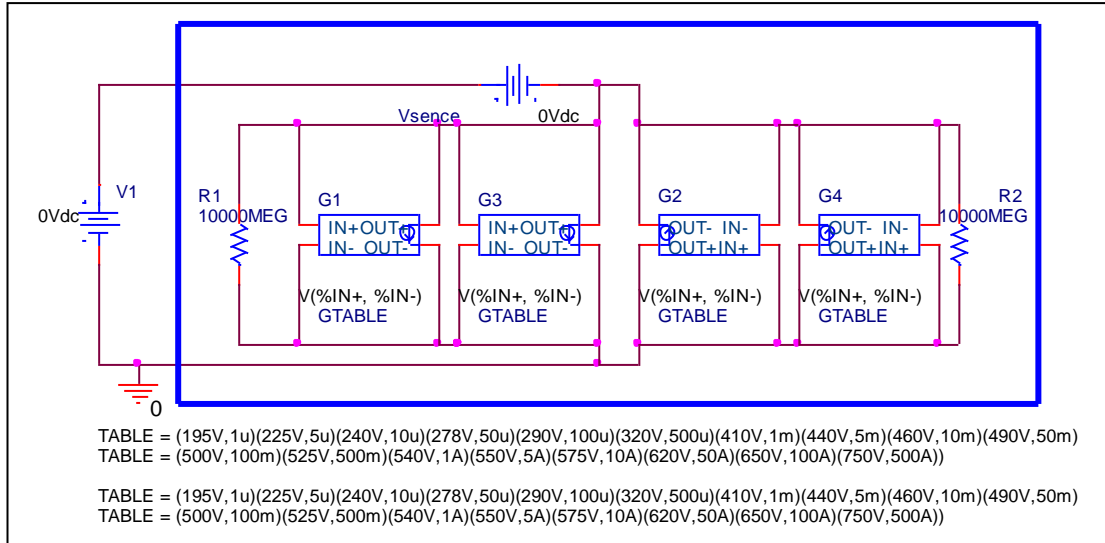
COMPONENTS: ZNR Transient/Surge Absorber
PART NUMBER: ERZV14D361
MANUFACTURER: Panasonic



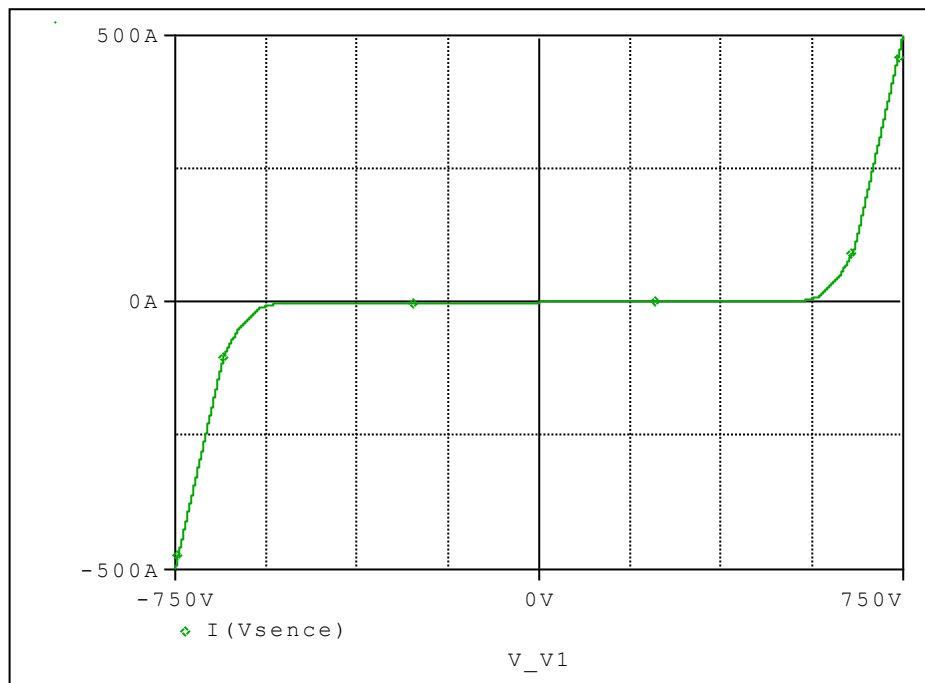
Bee Technologies Inc.

ZNR Transient /Surge Absorber

Evaluation Circuit Result



Circuit Simulation Result



ZNR Transient /Surge Absorber

Simulation Result

| I(A) | VFwd (V) | | %Error |
|----------|-------------|------------|--------|
| | Measurement | Simulation | |
| 1.00E-06 | 195.000 | 202.190 | 3.687 |
| 5.00E-06 | 225.000 | 227.860 | 1.271 |
| 1.00E-05 | 240.000 | 240.900 | 0.375 |
| 5.00E-05 | 278.000 | 278.220 | 0.079 |
| 1.00E-04 | 290.000 | 290.070 | 0.024 |
| 5.00E-04 | 320.000 | 320.160 | 0.050 |
| 1.00E-03 | 410.000 | 410.000 | 0.000 |
| 5.00E-03 | 440.000 | 440.000 | 0.000 |
| 1.00E-02 | 460.000 | 460.000 | 0.000 |
| 5.00E-02 | 490.000 | 490.000 | 0.000 |
| 1.00E-01 | 500.000 | 503.120 | 0.624 |
| 5.00E-01 | 525.000 | 526.500 | 0.286 |
| 1.00E+00 | 540.000 | 540.120 | 0.022 |
| 5.00E+00 | 550.000 | 550.250 | 0.045 |
| 1.00E+01 | 575.000 | 575.050 | 0.009 |
| 5.00E+01 | 620.000 | 622.600 | 0.419 |
| 1.00E+02 | 650.000 | 650.000 | 0.000 |
| 5.00E+02 | 750.000 | 750.000 | 0.000 |

Comparison Graph

Circuit Simulation Result

