

Device Modeling Report

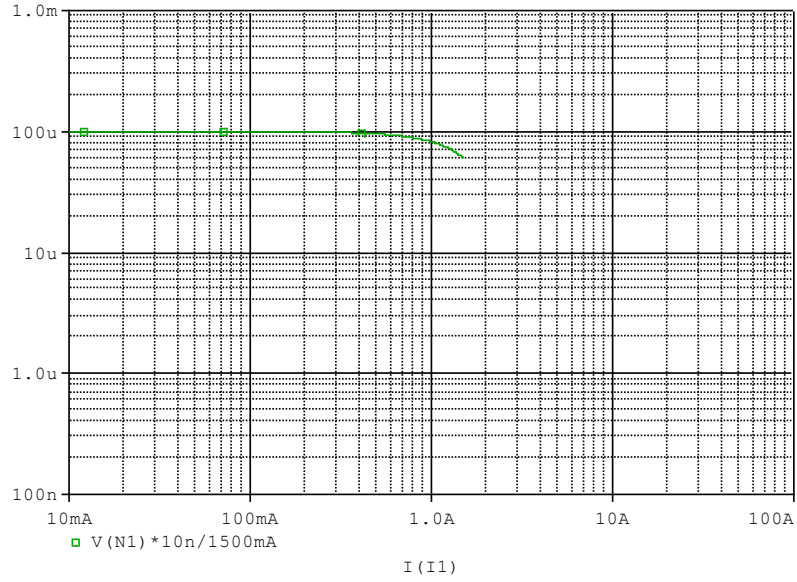
COMPONENTS: Inductor DC Model
PART NUMBER: LQH88PN101M38
MANUFACTURER: Murata Manufacturing Co, Ltd.
Remark: DC Model



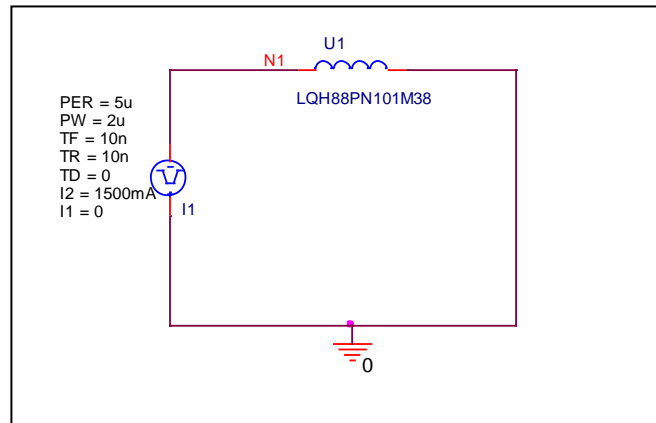
Bee Technologies Inc.

Inductance-Current Characteristics

Circuit Simulation result

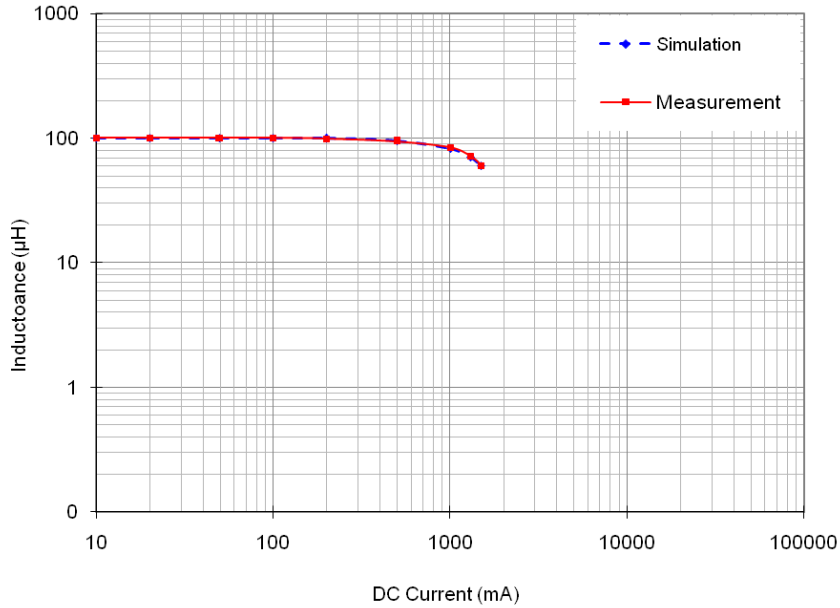


Evaluation circuit



Comparison Graph

Simulation result



Comparison table

I (mA)	L (µH)		%Error
	Measurement	Simulation	
10	100.000	99.998	0.00
20	100.000	99.993	-0.01
50	100.000	99.956	-0.04
100	100.000	99.823	-0.18
200	99.000	99.292	0.29
500	94.000	95.576	1.68
1000	84.000	82.302	-2.02
1300	72.000	70.089	-2.65
1500	60.000	60.178	0.30