

Device Modeling Report

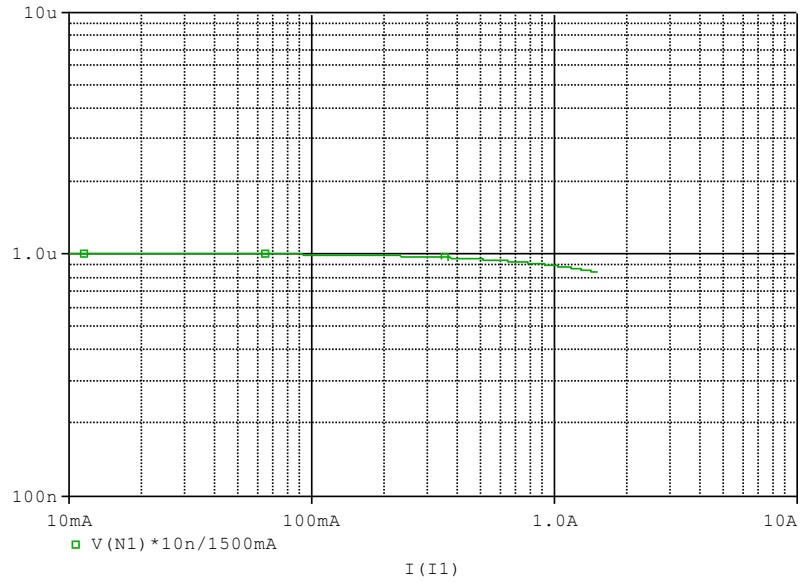
COMPONENTS: Inductance
PART NUMBER: LQM2HPN1R0MJ0
MANUFACTURER: Murata Manufacturing Co., Ltd.
Remark: DC Model



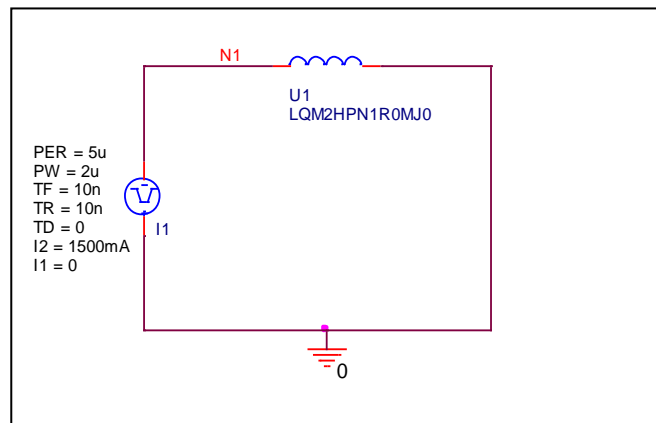
Bee Technologies Inc.

Inductance-Current Characteristics

Circuit Simulation result

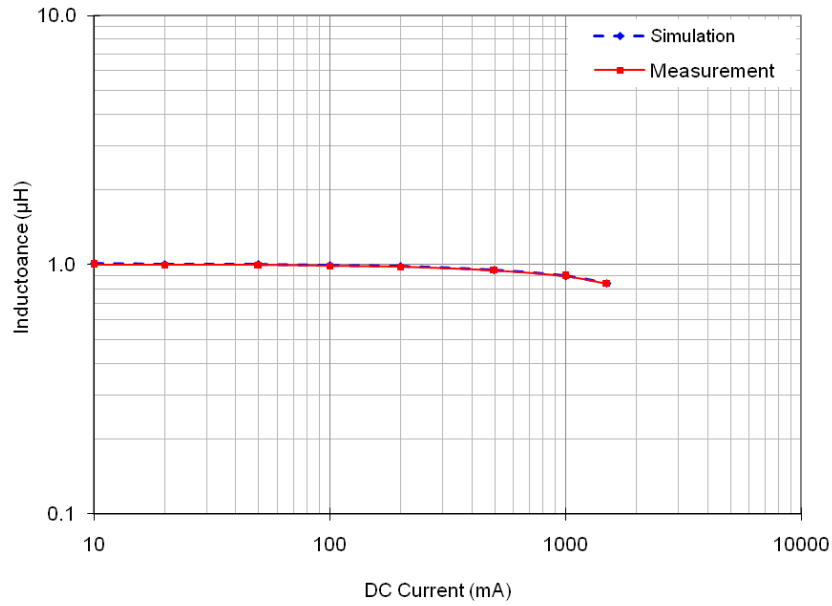


Evaluation circuit



Comparison Graph

Simulation result



Comparison table

I (mA)	L (µH)		%Error
	Measurement	Simulation	
10	1.000	1.009	0.89
20	0.999	1.008	0.88
50	0.998	1.005	0.65
100	0.990	0.999	0.91
200	0.980	0.988	0.81
500	0.950	0.955	0.50
1000	0.900	0.900	-0.06
1500	0.840	0.844	0.51