

Device Modeling Report

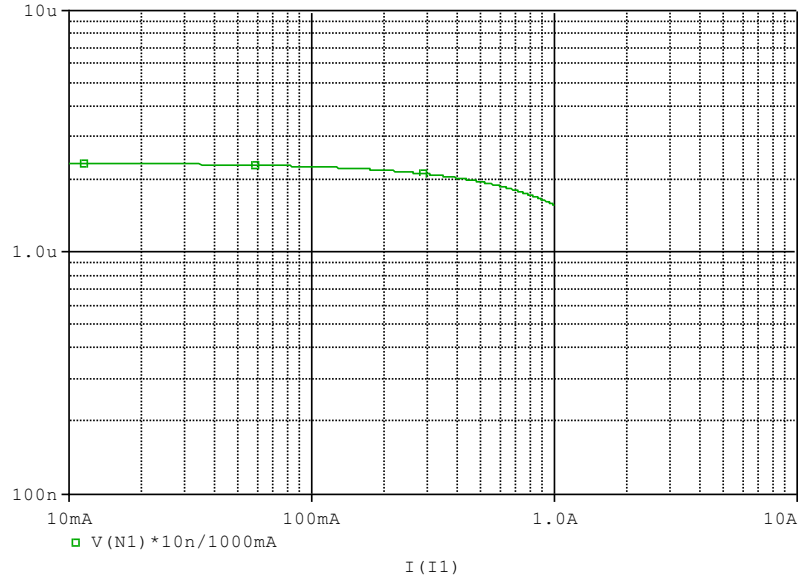
COMPONENTS: Inductance
PART NUMBER: LQM2HPN2R2MJ0
MANUFACTURER: Murata Manufacturing Co., Ltd.
Remark: DC Model



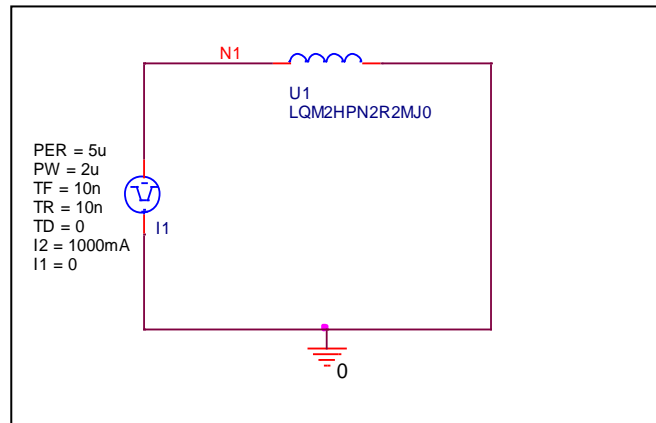
Bee Technologies Inc.

Inductance-Current Characteristics

Circuit Simulation result

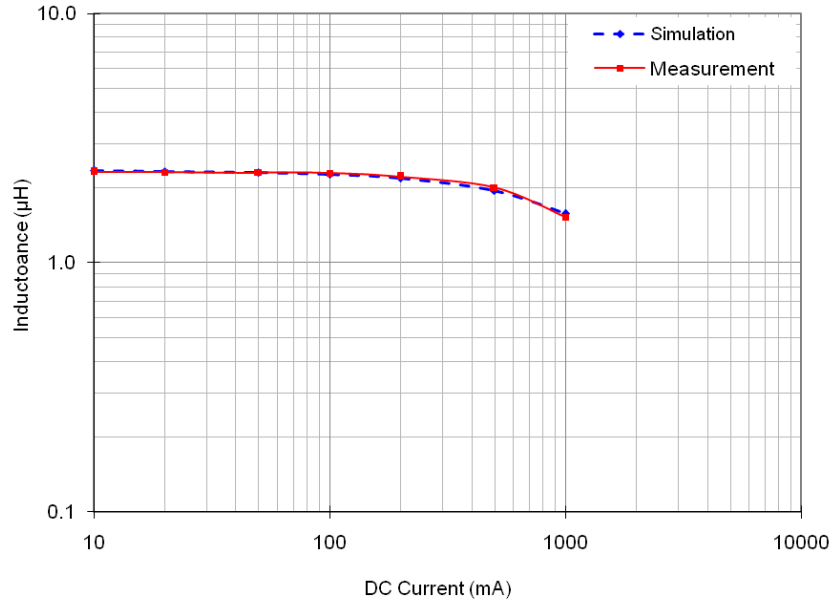


Evaluation circuit



Comparison Graph

Simulation result



Comparison table

I (mA)	L (µH)		%Error
	Measurement	Simulation	
10	2.315	2.332	0.75
20	2.310	2.325	0.63
50	2.298	2.302	0.15
100	2.290	2.263	-1.18
200	2.215	2.186	-1.32
500	2.000	1.955	-2.28
1000	1.525	1.569	2.89