

Device Modeling Report

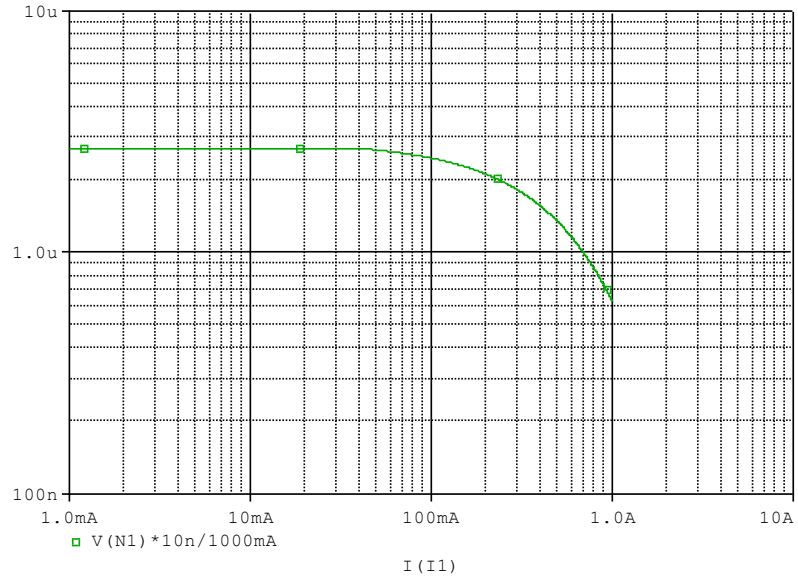
COMPONENTS: Inductor DC Model
PART NUMBER: LQM2MPN3R3NG0
MANUFACTURER: Murata Manufacturing Co, Ltd.
Remark: DC Model



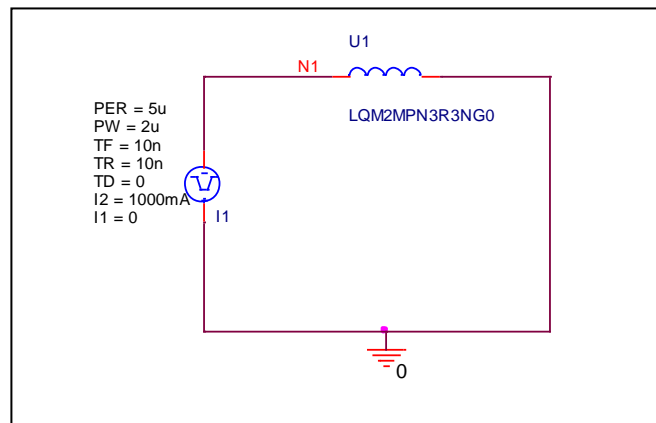
Bee Technologies Inc.

Inductance-Current Characteristics

Circuit Simulation result

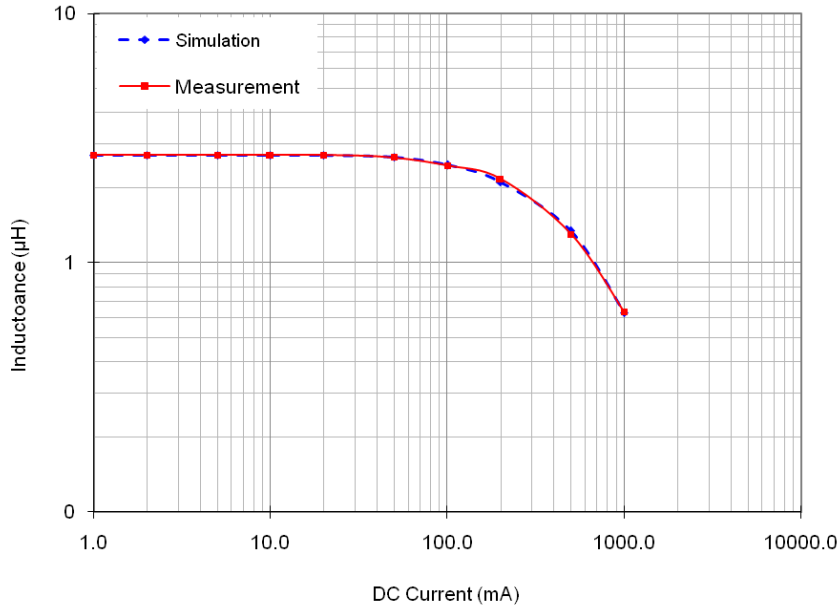


Evaluation circuit



Comparison Graph

Simulation result



Comparison table

I (mA)	L (µH)		%Error
	Measurement	Simulation	
1	2.700	2.700	0.00
2	2.700	2.700	0.00
5	2.700	2.700	0.00
10	2.700	2.700	0.00
20	2.700	2.700	0.00
50	2.650	2.654	0.16
100	2.450	2.461	0.43
200	2.170	2.114	-2.57
500	1.300	1.342	3.21
1000	0.635	0.629	-0.89