

Device Modeling Report

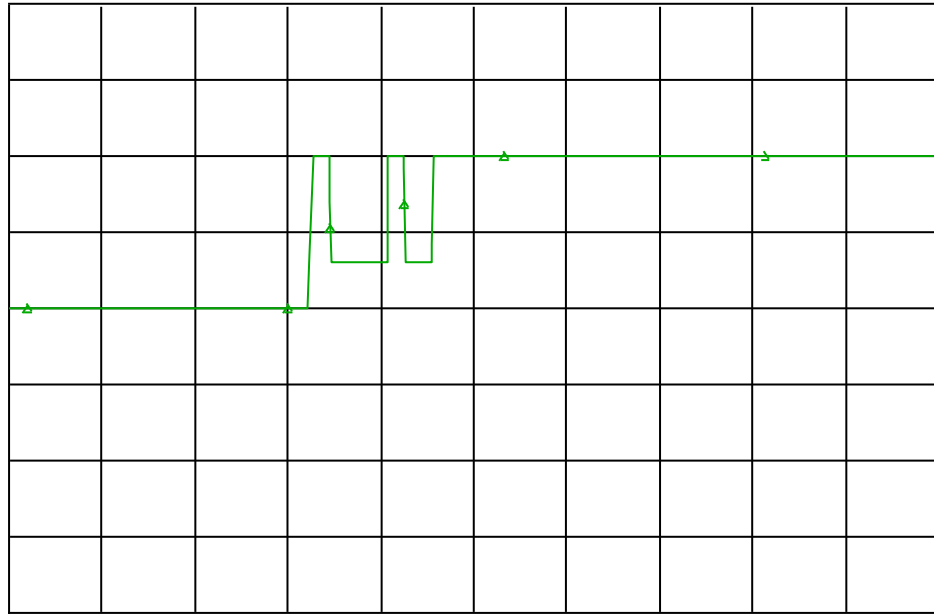
COMPONENTS: TOGGLE SWITCH
PART NUMBER: M-2018E
MANUFACTURER: NIHON KAIHEIKI
REMARK: TOGGLE SWITCH ON (2Pulse)



Bee Technologies Inc.

Toggle Switch On

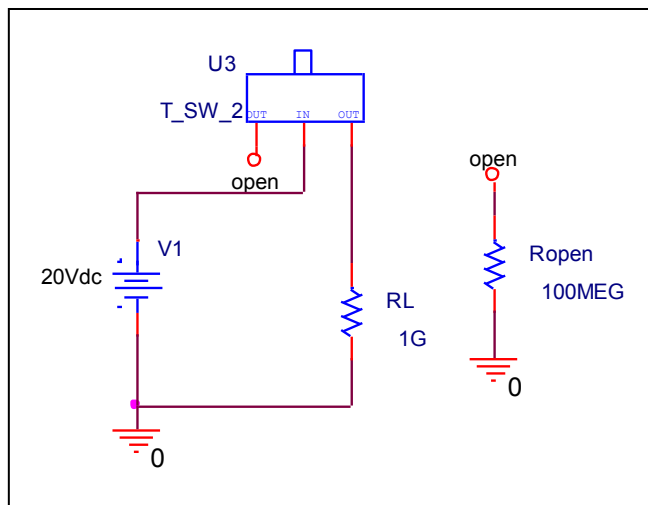
Circuit simulation result



▲ V (RL:1)

Time

Evaluation circuit



Toggle Switch On

Reference

