

# Device Modeling Report

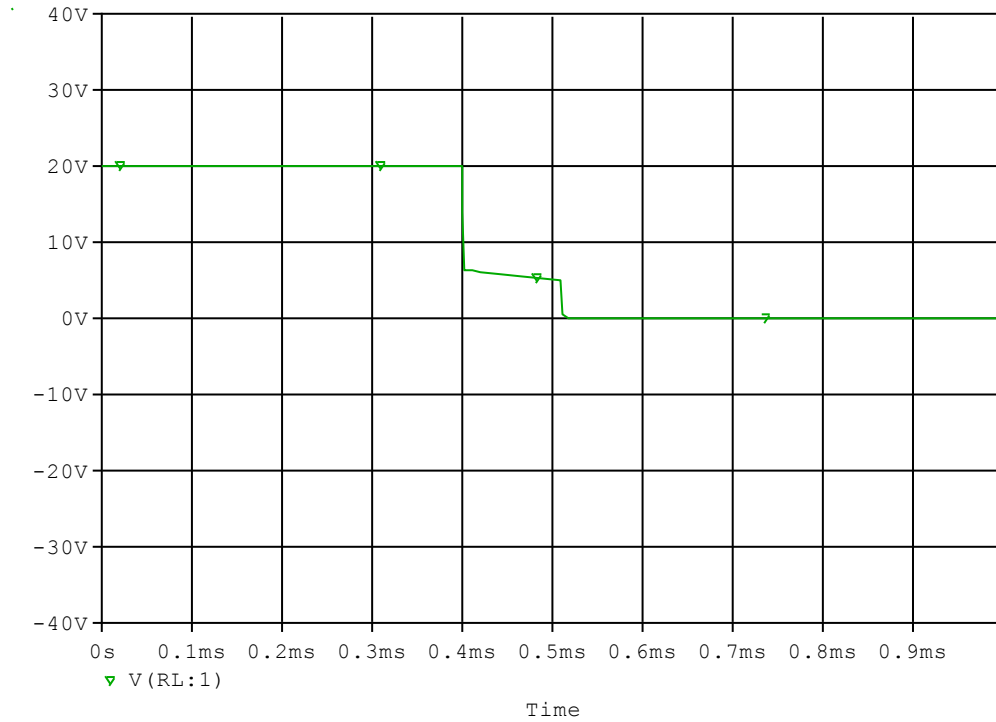
COMPONENTS: TOGGLE SWITCH  
PART NUMBER: M-2018E  
MANUFACTURER: NIHON KAIHEIKI  
REMARK: TOGGLE SWITCH OFF



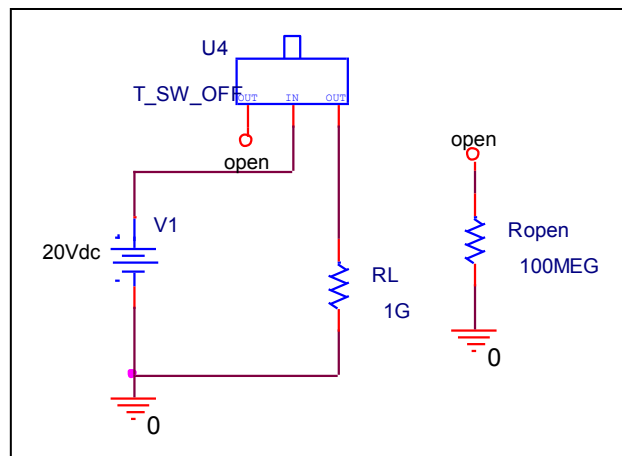
**Bee Technologies Inc.**

# Toggle Switch Off

## Circuit simulation result



## Evaluation circuit



**Toggle Switch Off**

**Reference**

