

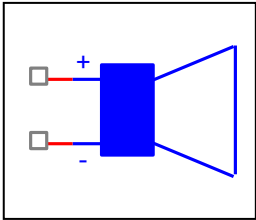
Evaluation Report

COMPONENTS:Speaker
PART NUMBER: F120A
Class:Full Range
MANUFACTURER: FOSTEX



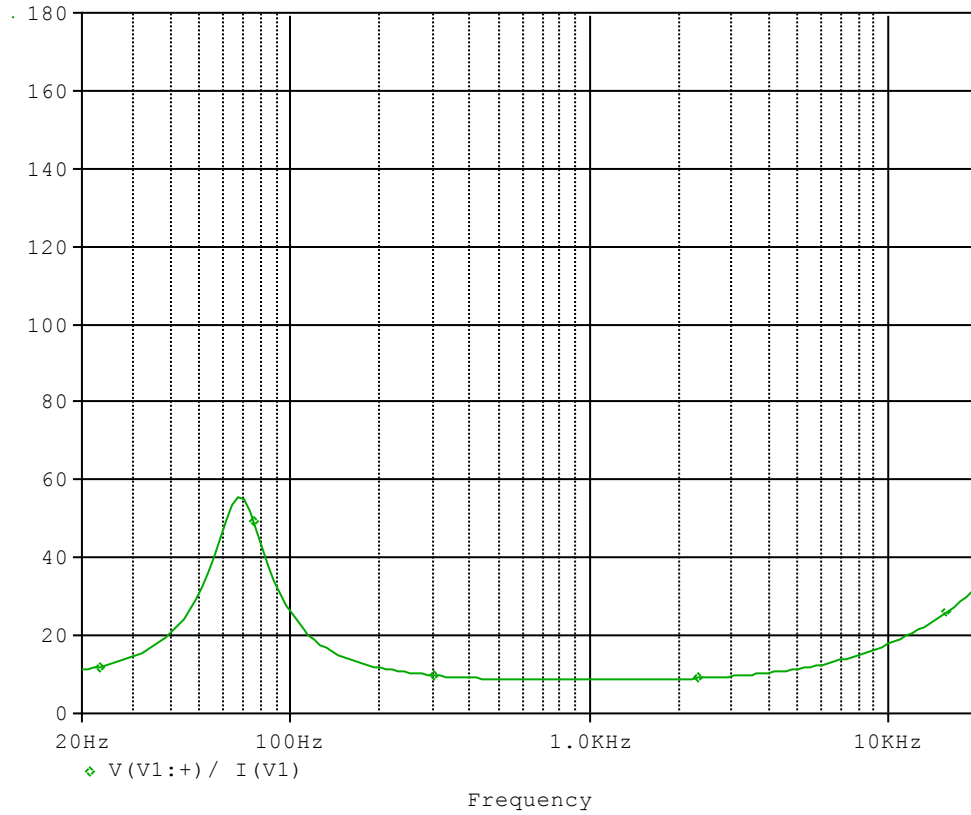
Bee Technologies Inc.

Circuit Configuration

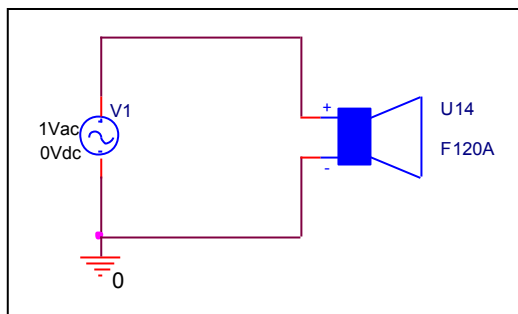


Frequency Response & Impedance Characteristic

Circuit Simulation Result

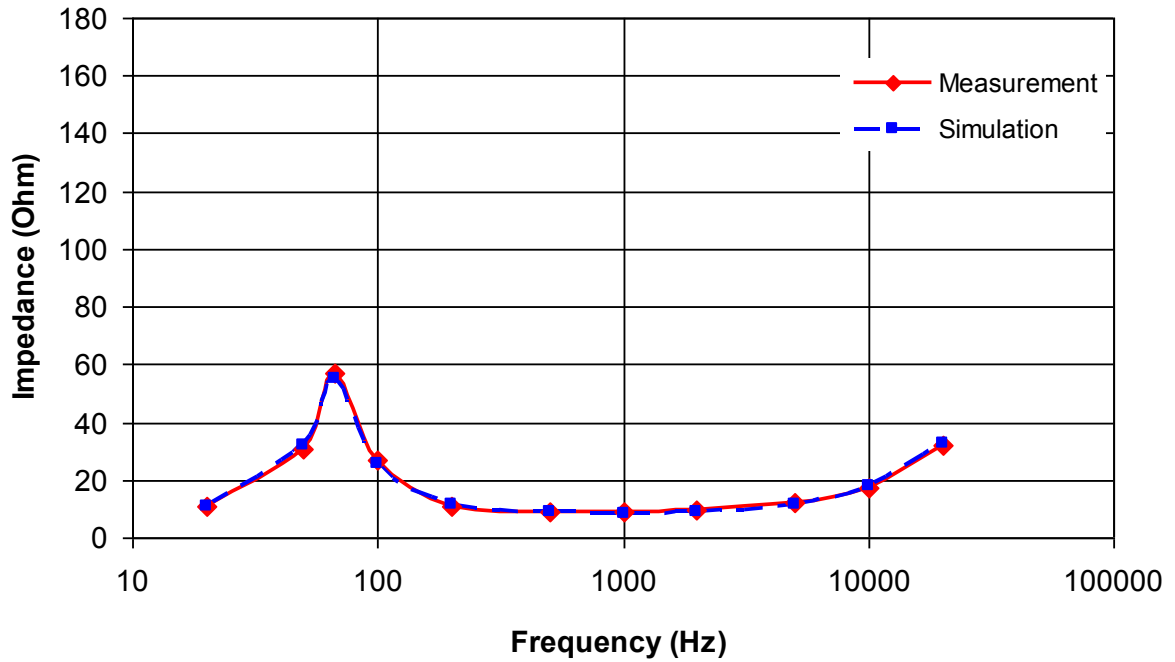


Evaluation circuit



Circuit Simulation Result

Comparison graph



Simulation Result

Frequency (Hz)	Impedance(ohm)		%Error
	Measurement	Simulation	
20	10.900	11.144	2.239
50	30.500	31.886	4.544
67	57.000	55.391	-2.823
100	27.000	25.714	-4.763
200	11.200	11.611	3.670
500	8.700	8.824	1.425
1000	8.800	8.539	-2.966
2000	9.300	8.874	-4.581
5000	11.900	11.349	-4.630
10000	17.500	17.740	1.371
20000	32.000	32.484	1.513