

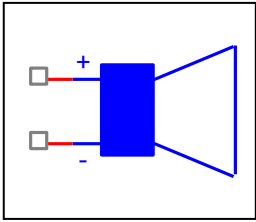
# Evaluation Report

COMPONENTS:Speaker  
PART NUMBER: F200A  
Class:Full Range  
MANUFACTURER: FOSTEX



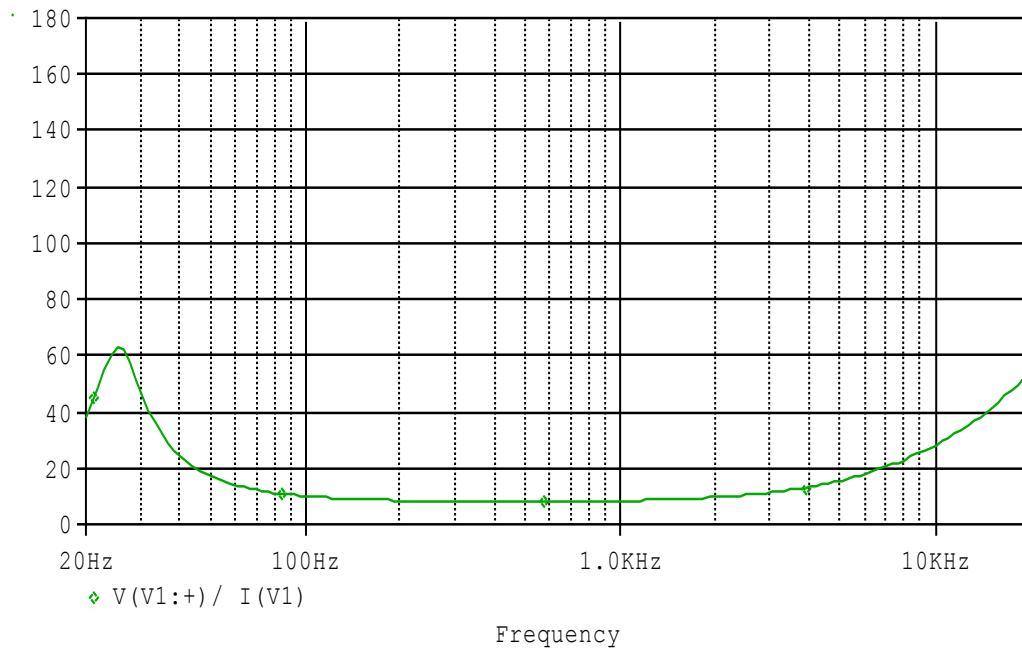
**Bee Technologies Inc.**

# Circuit Configuration

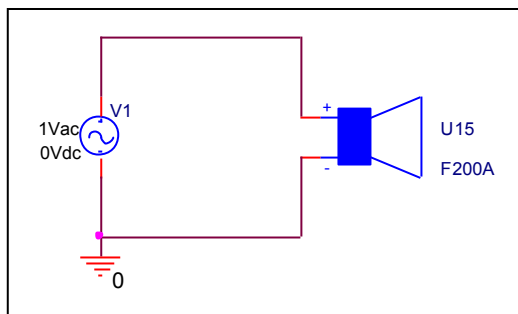


# Frequency Response & Impedance Characteristic

## Circuit Simulation Result

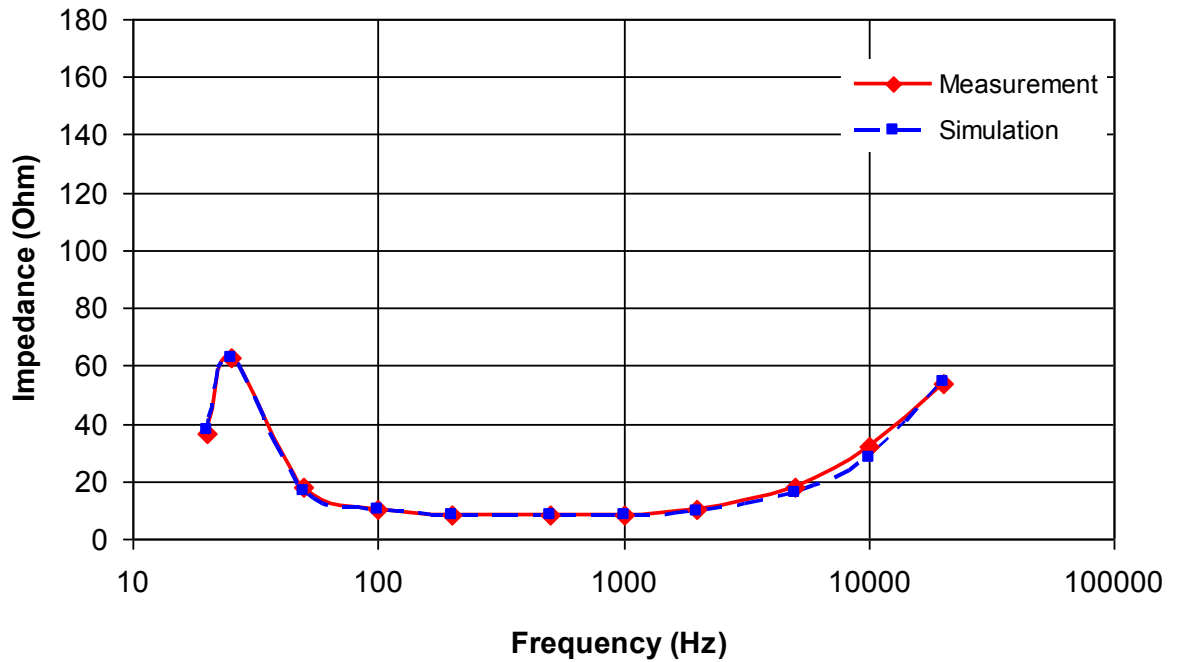


## Evaluation circuit



## Circuit Simulation Result

### Comparison graph



### Simulation Result

Frequency (Hz)	Impedance(ohm)		%Error
	Measurement	Simulation	
20	36.600	38.112	4.131
25	63.000	62.982	-0.029
50	17.700	16.888	-4.588
100	10.500	10.009	-4.676
200	8.500	8.469	-0.365
500	8.200	8.125	-0.915
1000	8.500	8.394	-1.247