

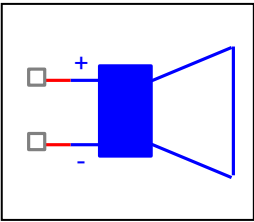
Evaluation Report

COMPONENTS:Speaker
PART NUMBER: FE103E
Class:Full Range
MANUFACTURER: FOSTEX



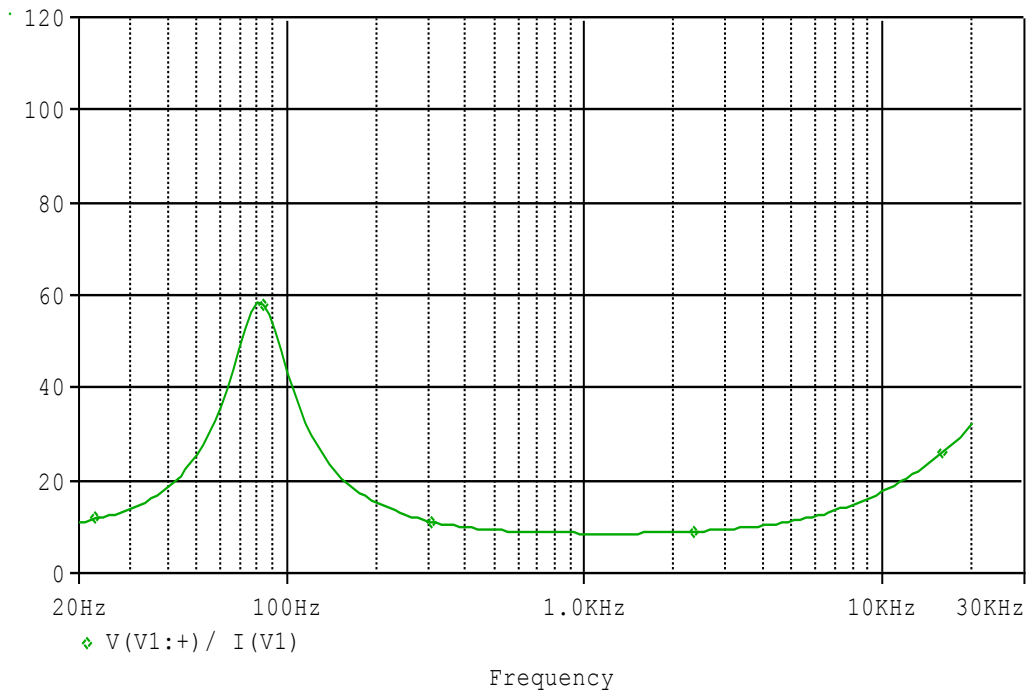
Bee Technologies Inc.

Circuit Configuration

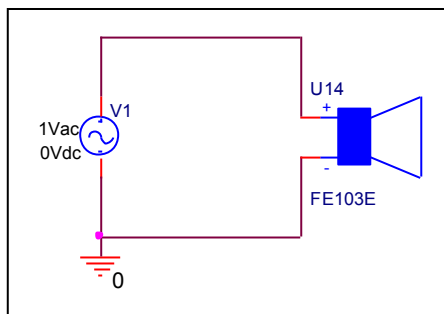


Frequency Response & Impedance Characteristic

Circuit Simulation Result

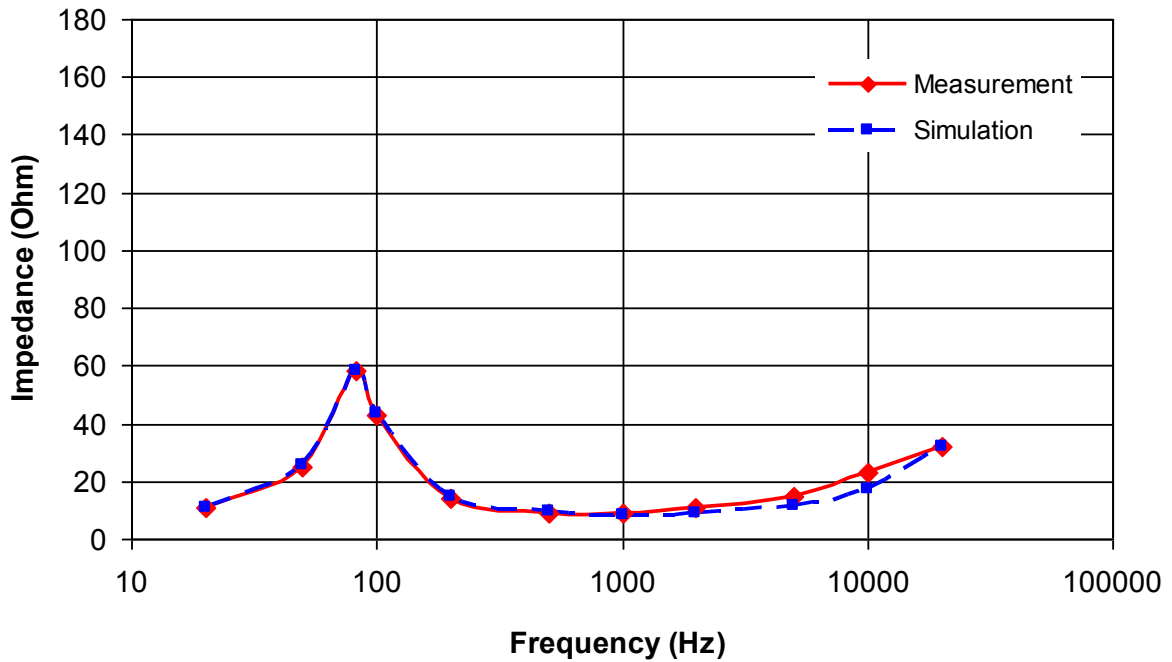


Evaluation circuit



Circuit Simulation Result

Comparison graph



Simulation Result

| Frequency (Hz) | Impedance(ohm) | | %Error |
|----------------|----------------|------------|--------|
| | Measurement | Simulation | |
| 20 | 11.000 | 10.976 | -0.218 |
| 50 | 25.000 | 25.438 | 1.752 |
| 82 | 58.000 | 58.205 | 0.353 |
| 100 | 43.000 | 43.543 | 1.263 |
| 200 | 14.400 | 14.954 | 3.847 |
| 500 | 9.000 | 9.299 | 3.322 |
| 1000 | 8.700 | 8.579 | -1.391 |