

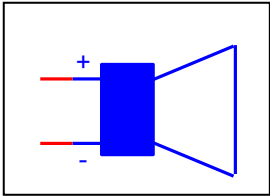
Evaluation Report

COMPONENTS:Speaker
Class: Full Range
PART NUMBER: FE107E
MANUFACTURER: FOSTEX



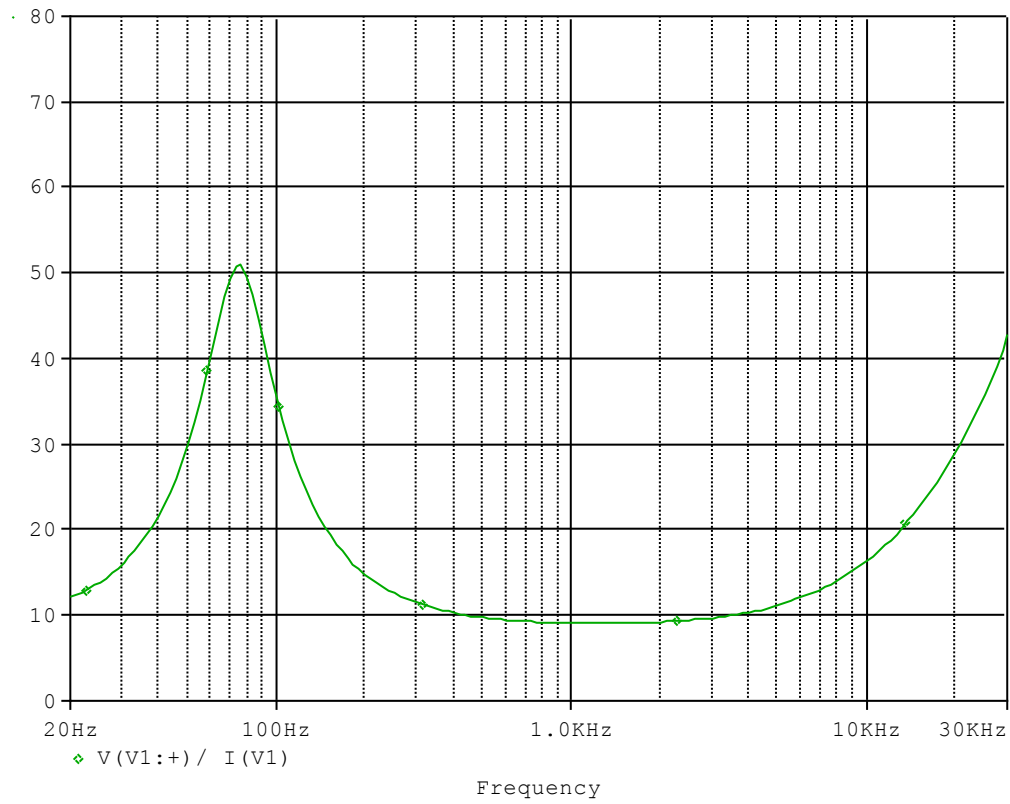
Bee Technologies Inc.

Circuit Configuration

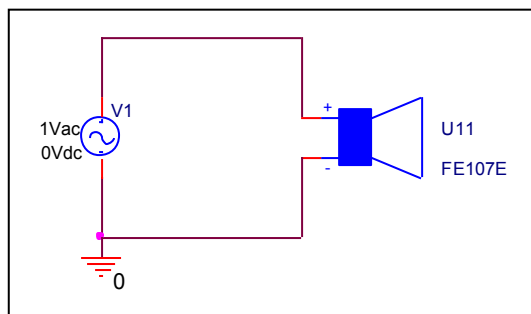


Frequency Response & Impedance Characteristic

Circuit Simulation Result

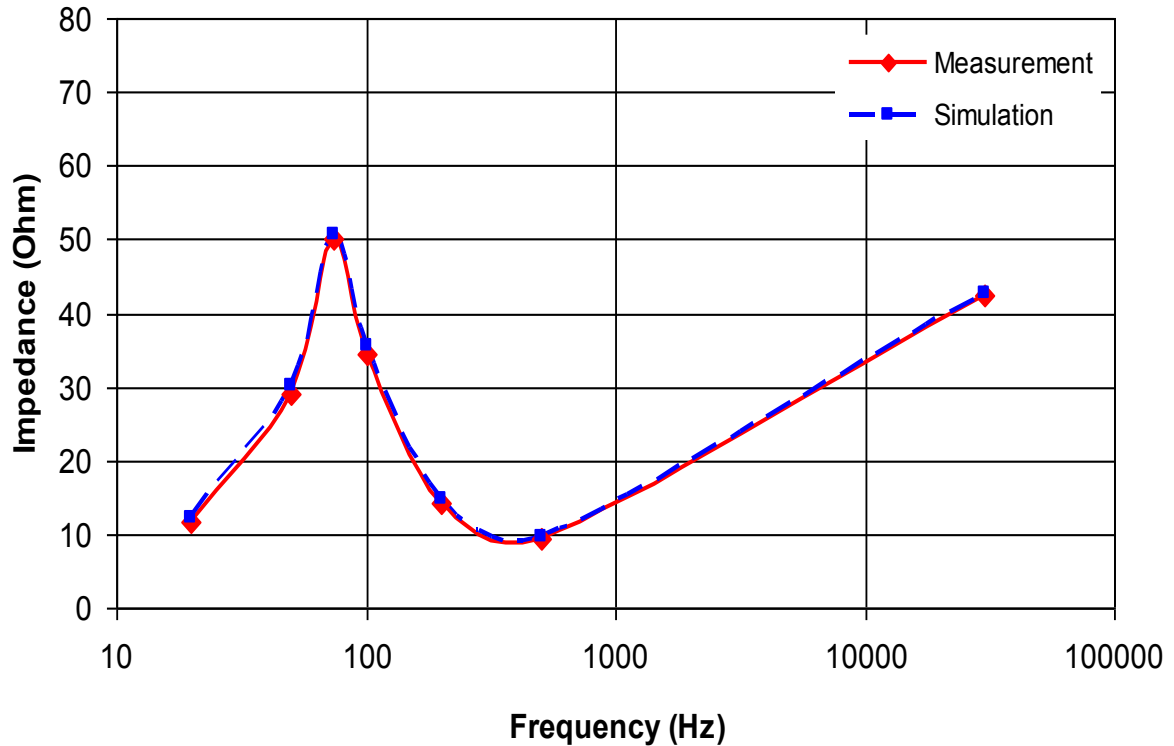


Evaluation circuit



Circuit Simulation Result

Comparison graph



Simulation Result

Frequency (Hz)	Impedance(ohm)		%Error
	Measurement	Simulation	
20	11.650	12.109	3.940
50	28.900	30.144	4.304
100	34.500	35.623	3.255
200	14.200	14.83	4.437
500	9.300	9.75	4.839
30000	42.300	42.8	1.182