

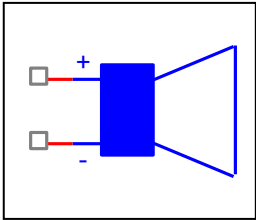
Evaluation Report

COMPONENTS:Speaker
PART NUMBER: FE108EZ
Class:Full Range
MANUFACTURER: FOSTEX



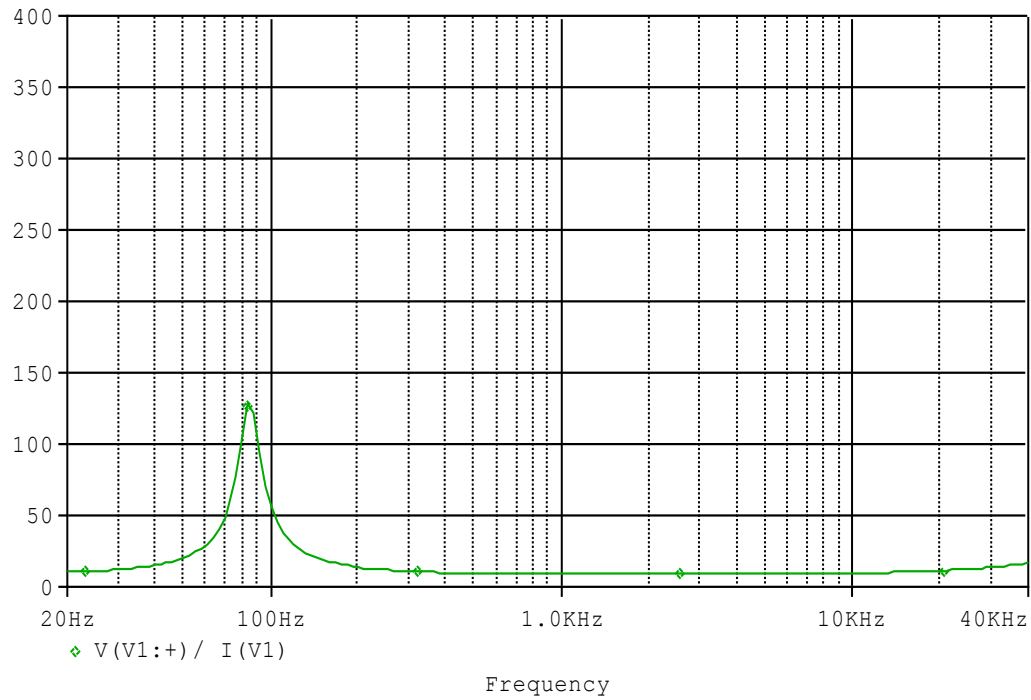
Bee Technologies Inc.

Circuit Configuration

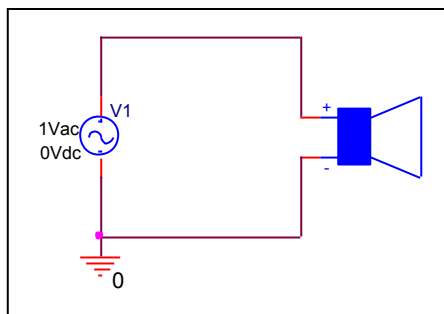


Frequency Response & Impedance Characteristic

Circuit Simulation Result

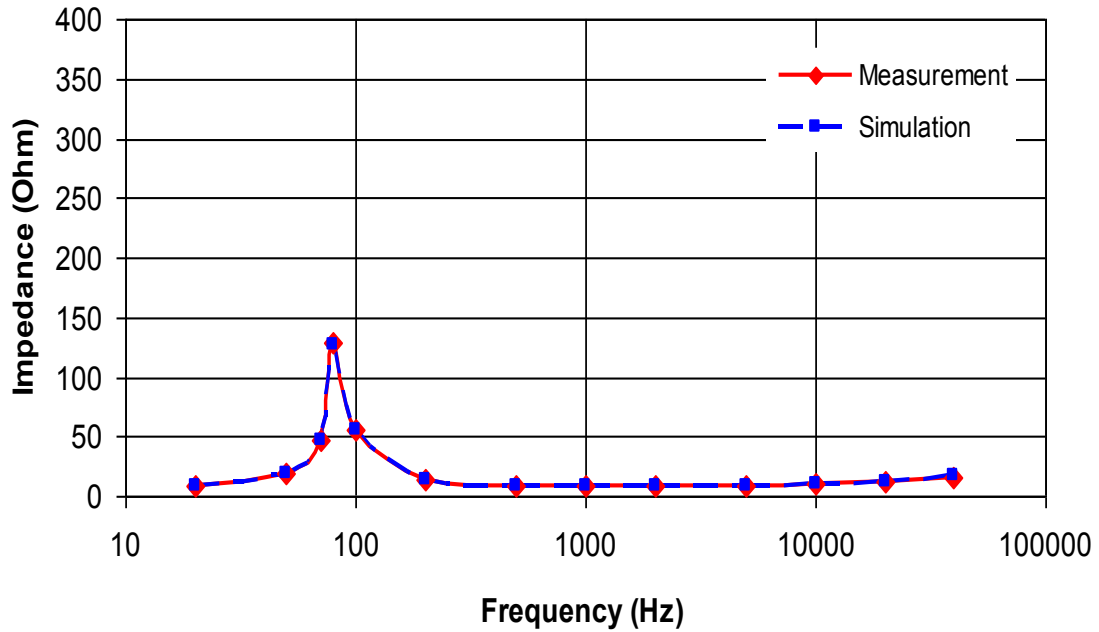


Evaluation circuit



Circuit Simulation Result

Comparison graph



Simulation Result

Frequency (Hz)	Impedance(ohm)		%Error
	Measurement	Simulation	
20	9.100	9.455	3.901
50	20.000	19.848	-0.760
80	128.000	127.119	-0.688
100	55.000	54.952	-0.087
200	13.500	13.340	-1.185
500	9.000	9.268	2.978
1000	9.200	9.125	-0.815
2000	9.200	9.006	-2.109
5000	9.250	9.129	-1.308
10000	10.000	9.661	-3.390
20000	12.000	11.569	-3.592
40000	16.500	17.082	3.527