

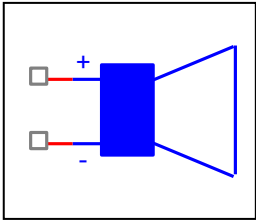
Evaluation Report

COMPONENTS:Speaker
PART NUMBER: FE166E
Class:Full Range
MANUFACTURER: FOSTEX



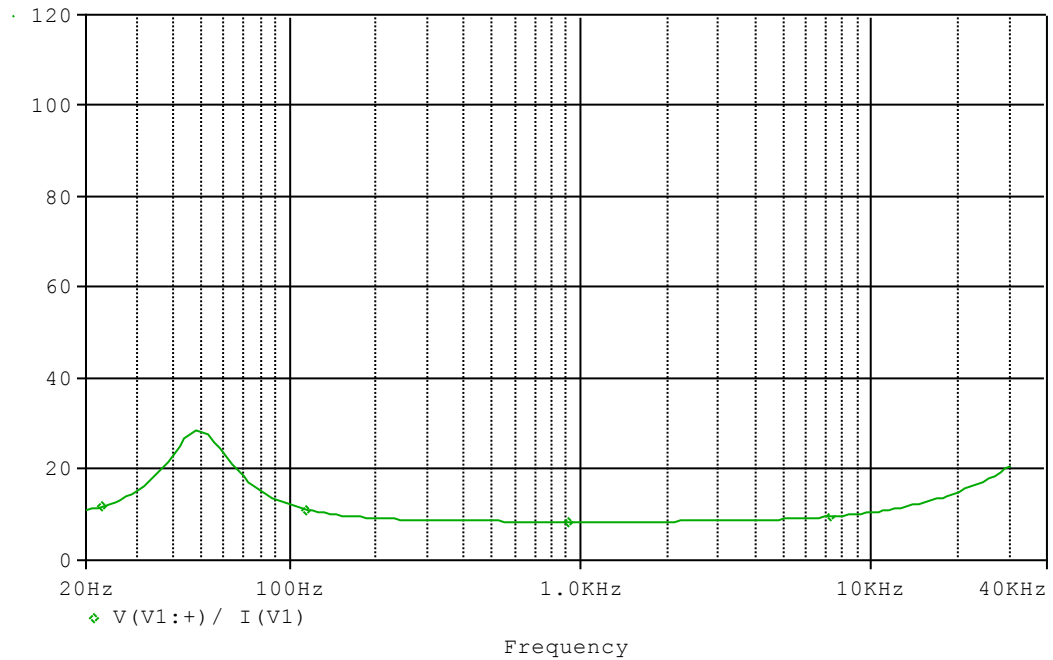
Bee Technologies Inc.

Circuit Configuration

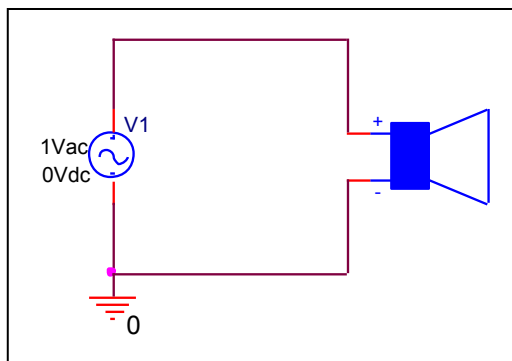


Frequency Response & Impedance Characteristic

Circuit Simulation Result

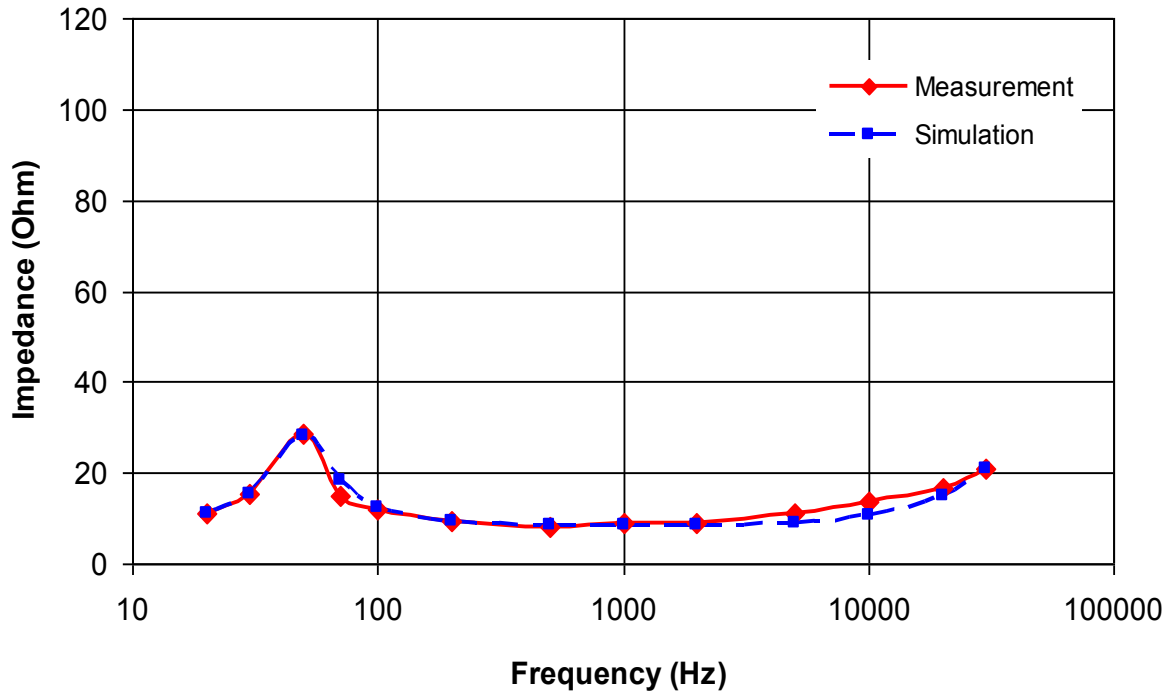


Evaluation circuit



Circuit Simulation Result

Comparison graph



Simulation Result

Frequency (Hz)	Impedance(ohm)		%Error
	Measurement	Simulation	
20	11.000	10.989	-0.100
50	28.500	28.335	-0.579
100	12.000	12.185	1.542
200	9.200	9.260	0.652
500	8.300	8.588	3.470
1000	8.900	8.514	-4.337
2000	9.000	8.561	-4.878