

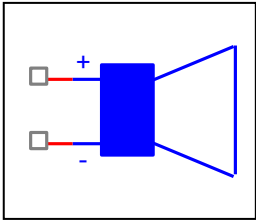
Evaluation Report

COMPONENTS:Speaker
PART NUMBER: FE167E
Class:Full Range
MANUFACTURER: FOSTEX



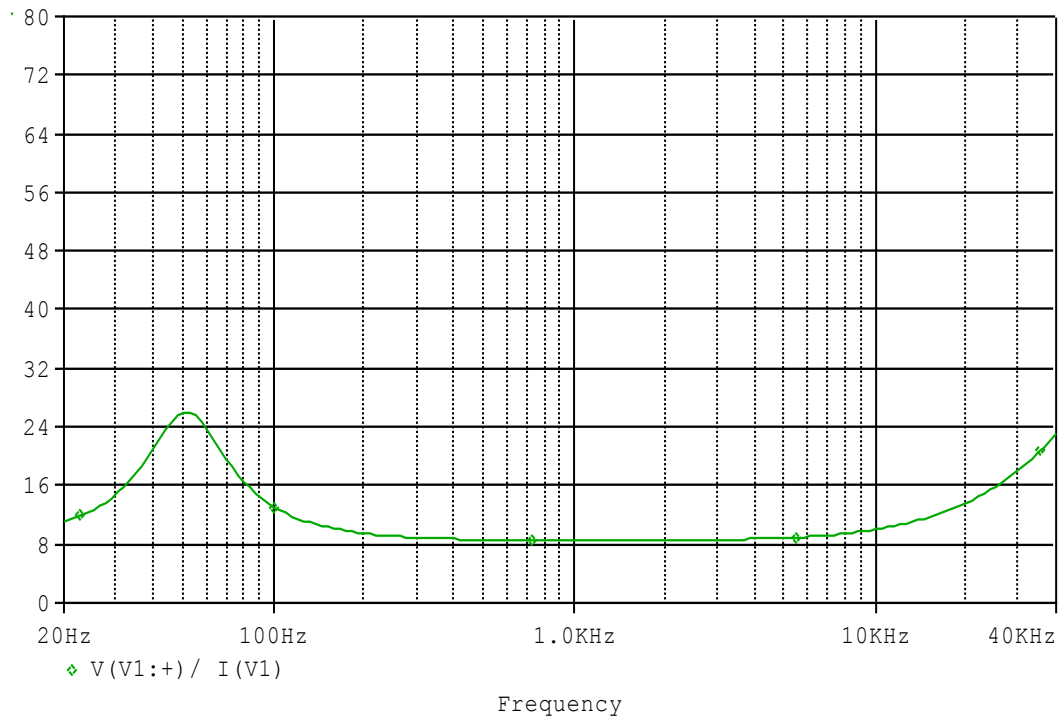
Bee Technologies Inc.

Circuit Configuration

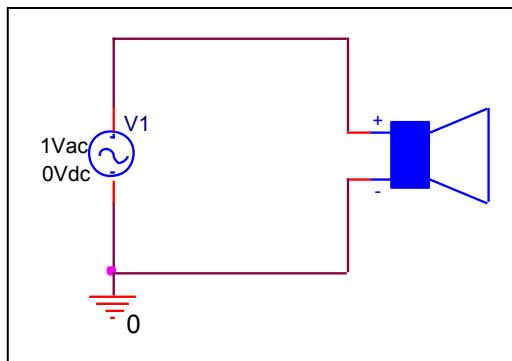


Frequency Response & Impedance Characteristic

Circuit Simulation Result

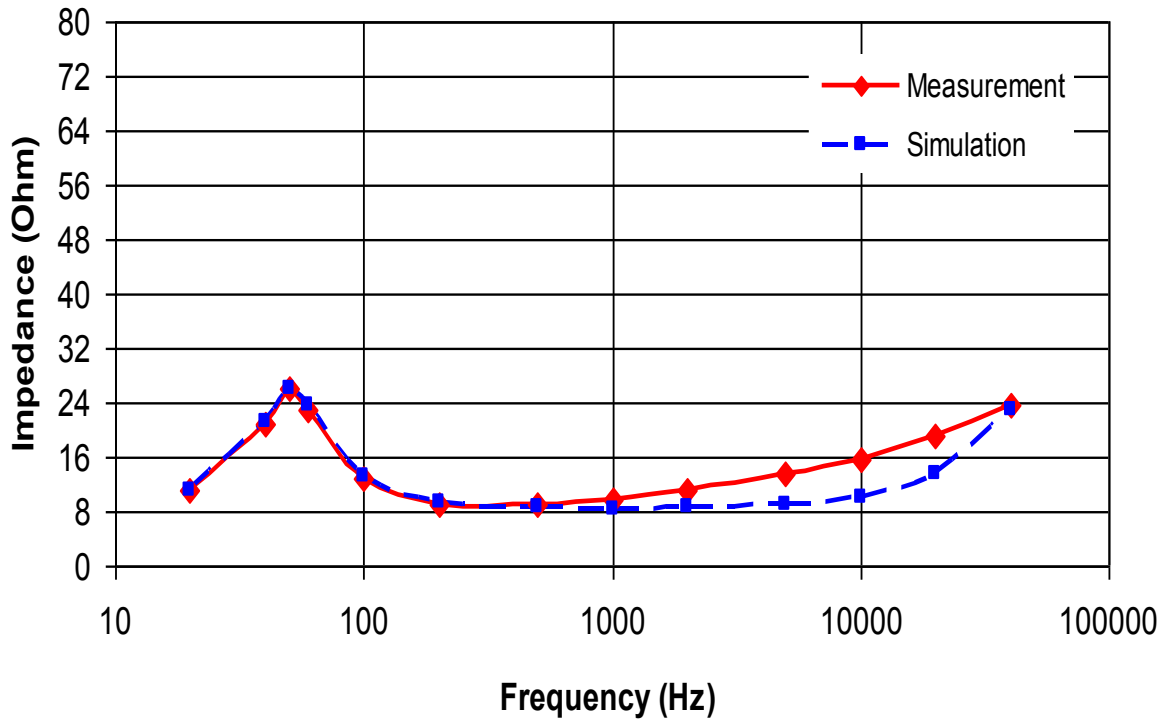


Evaluation circuit



Circuit Simulation Result

Comparison graph



Simulation Result

Frequency (Hz)	Impedance(ohm)		%Error
	Measurement	Simulation	
20	11.000	11.001	0.009
40	21.000	21.107	0.510
50	26.000	26.052	0.200
60	23.000	23.591	2.570
100	13.000	13.147	1.131
200	9.100	9.491	4.297
500	8.900	8.624	-3.101