

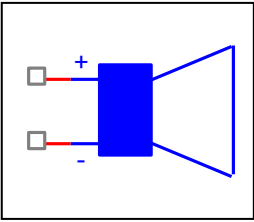
Evaluation Report

COMPONENTS:Speaker
PART NUMBER: FE168EZ
Class:Full Range
MANUFACTURER: FOSTEX



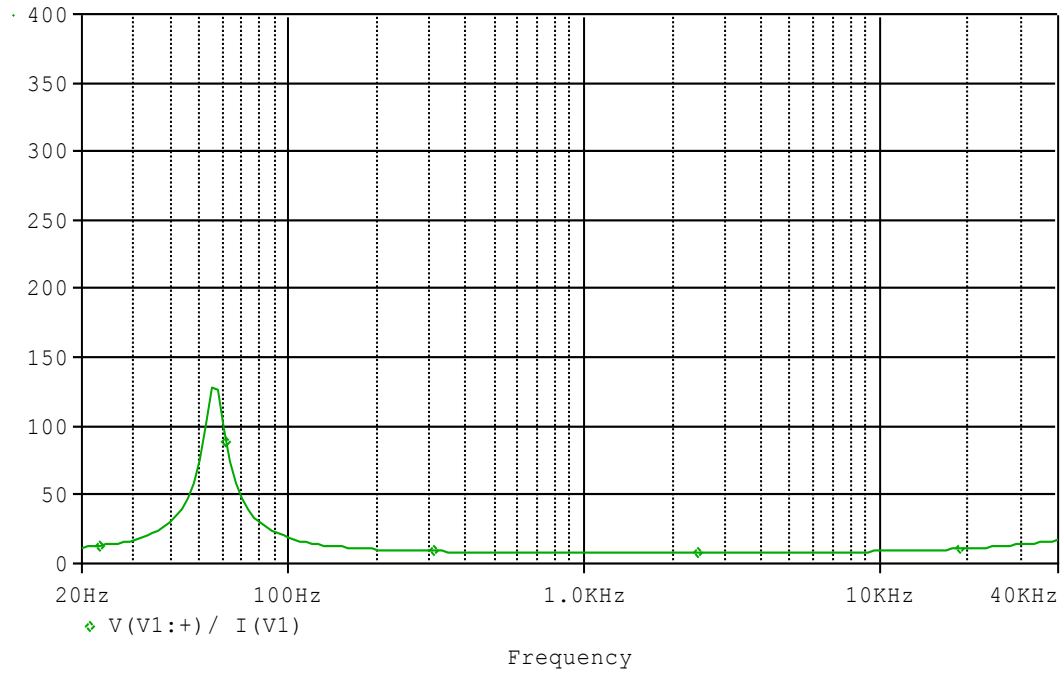
Bee Technologies Inc.

Circuit Configuration

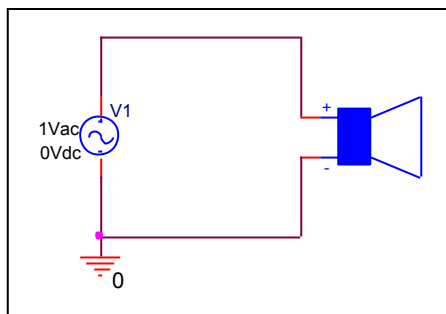


Frequency Response & Impedance Characteristic

Circuit Simulation Result

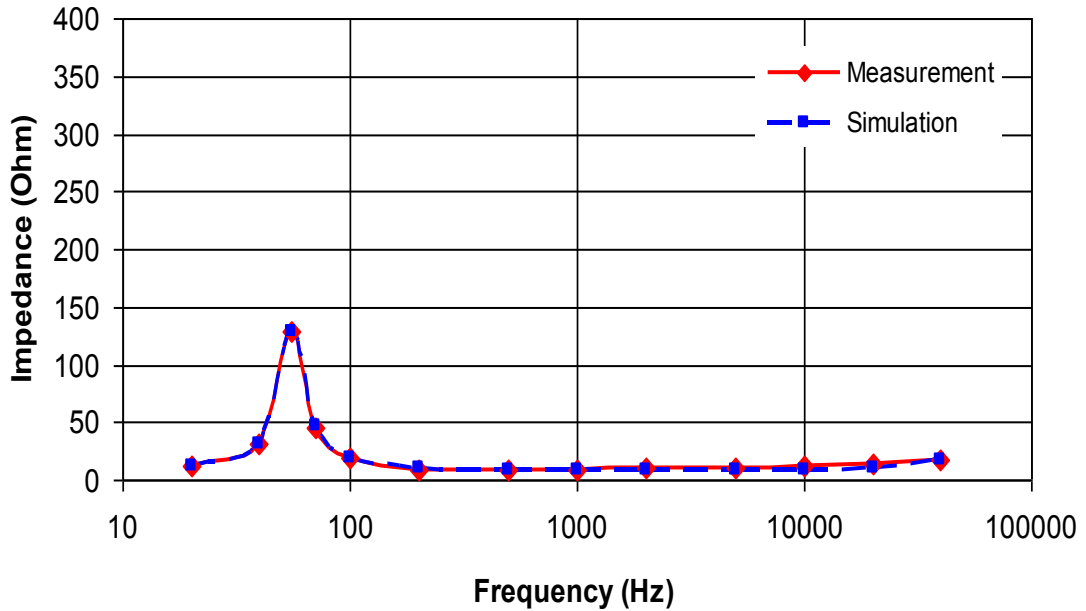


Evaluation circuit



Circuit Simulation Result

Comparison graph



Simulation Result

Frequency (Hz)	Impedance(ohm)		%Error
	Measurement	Simulation	
20	11.500	11.666	1.443
40	31.000	31.160	0.516
55	128.000	127.954	-0.036
70	46.000	47.024	2.226
100	18.500	18.951	2.438
500	8.000	8.294	3.675
1000	8.300	8.021	-3.361