

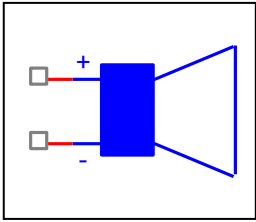
Evaluation Report

COMPONENTS:Speaker
PART NUMBER: FE206E
Class:Full Range
MANUFACTURER: FOSTEX



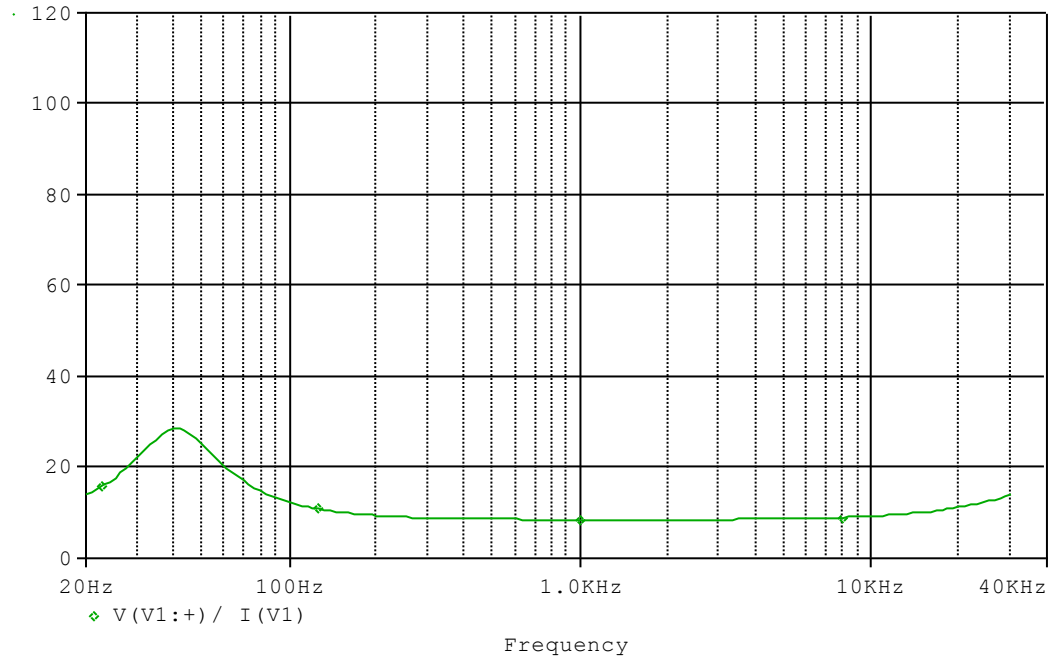
Bee Technologies Inc.

Circuit Configuration

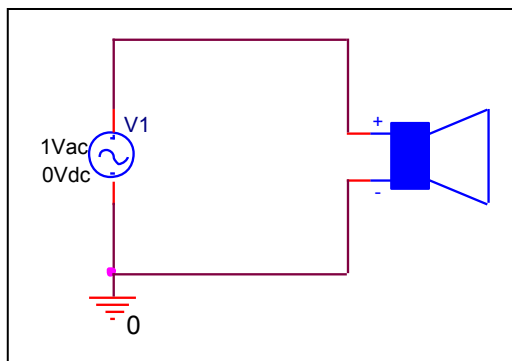


Frequency Response & Impedance Characteristic

Circuit Simulation Result

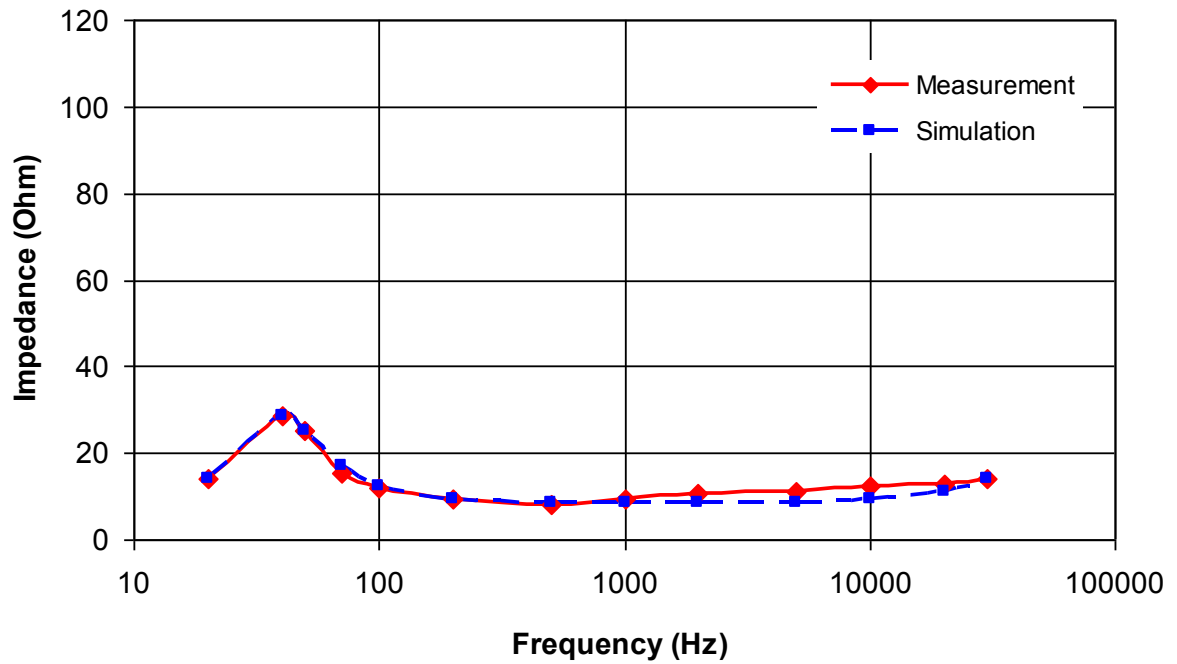


Evaluation circuit



Circuit Simulation Result

Comparison graph



Simulation Result

Frequency (Hz)	Impedance(ohm)		%Error
	Measurement	Simulation	
20	14.000	14.100	0.714
40	28.500	28.454	-0.161
50	25.000	25.043	0.172
100	12.000	12.292	2.433
200	9.200	9.410	2.283
500	8.300	8.624	3.904