

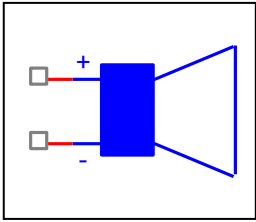
Evaluation Report

COMPONENTS:Speaker
PART NUMBER: FE208EZ
Class:Full Range
MANUFACTURER: FOSTEX



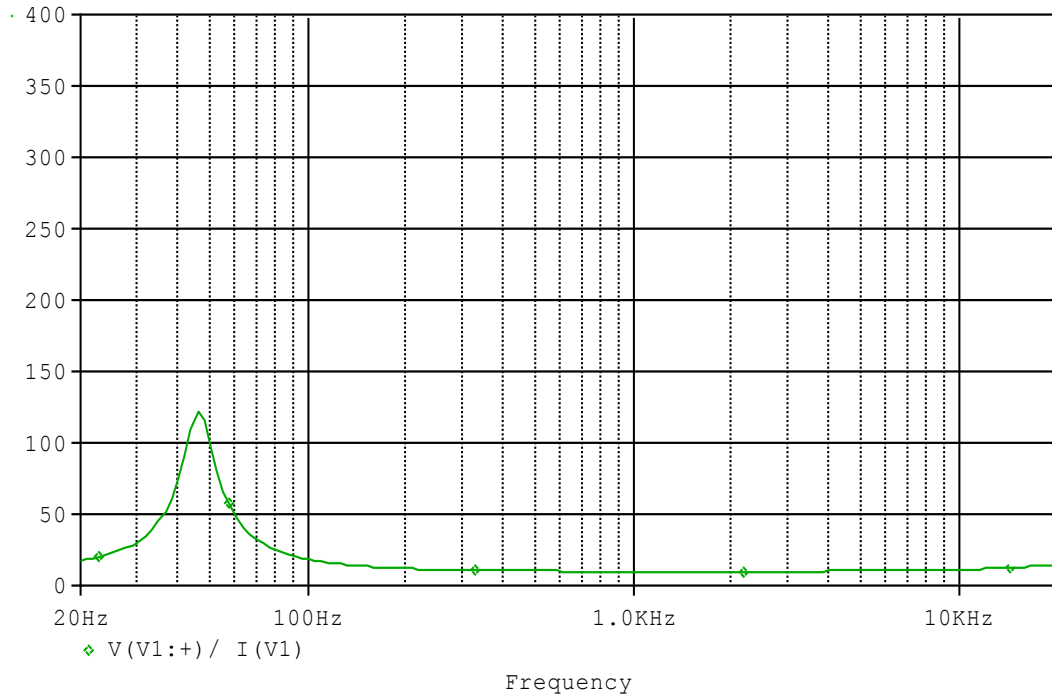
Bee Technologies Inc.

Circuit Configuration

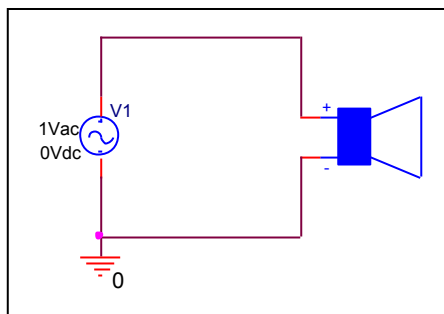


Frequency Response & Impedance Characteristic

Circuit Simulation Result

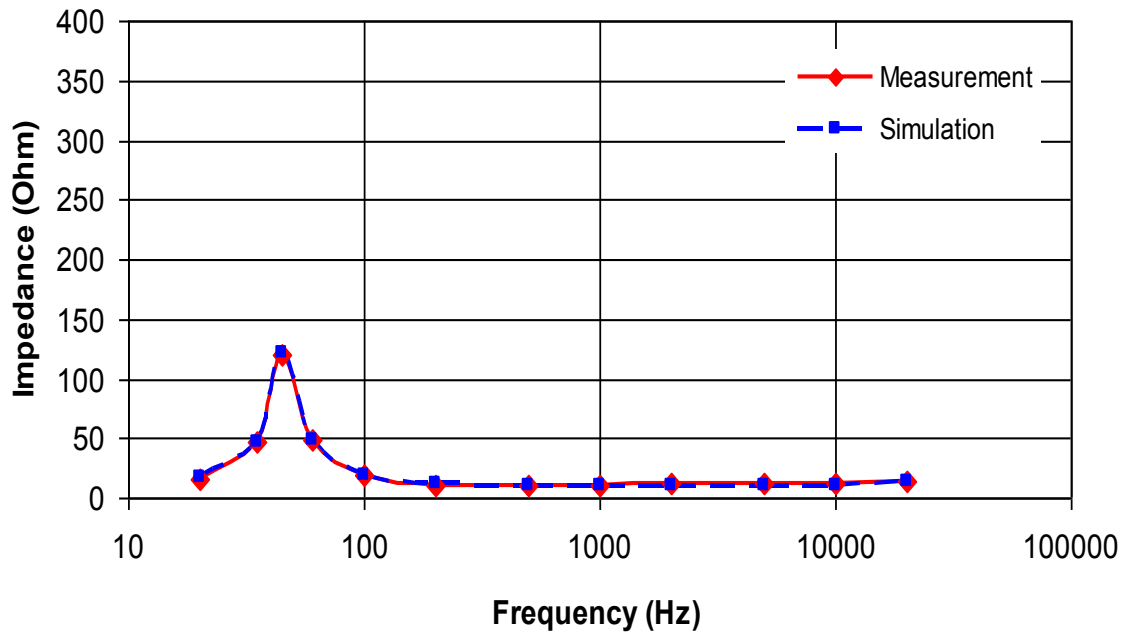


Evaluation circuit



Circuit Simulation Result

Comparison graph



Simulation Result

| Frequency (Hz) | Impedance(ohm) | | %Error |
|----------------|----------------|------------|--------|
| | Measurement | Simulation | |
| 20 | 16.500 | 17.441 | 5.703 |
| 35 | 47.000 | 46.256 | -1.583 |
| 45 | 120.000 | 121.761 | 1.468 |
| 60 | 48.000 | 48.774 | 1.613 |
| 100 | 18.500 | 18.492 | -0.043 |
| 500 | 10.500 | 10.259 | -2.295 |