

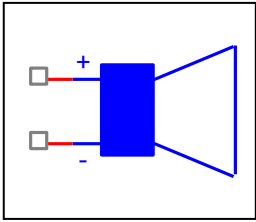
Evaluation Report

COMPONENTS:Speaker
PART NUMBER: FE83E
Class:Full Range
MANUFACTURER: FOSTEX



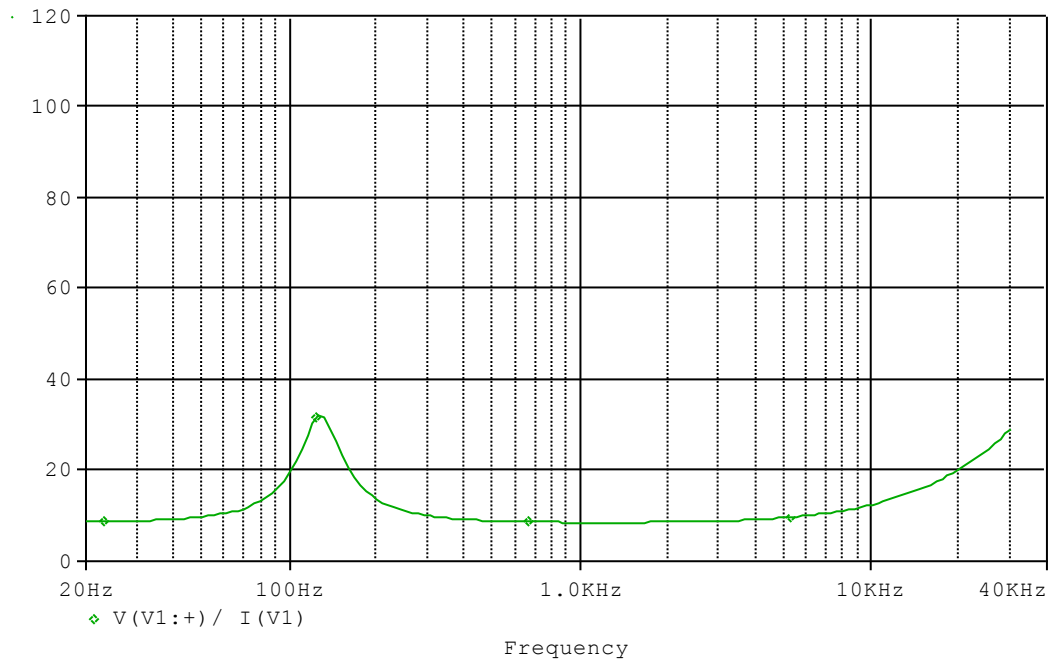
Bee Technologies Inc.

Circuit Configuration

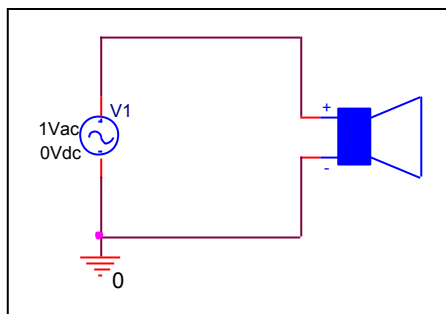


Frequency Response & Impedance Characteristic

Circuit Simulation Result

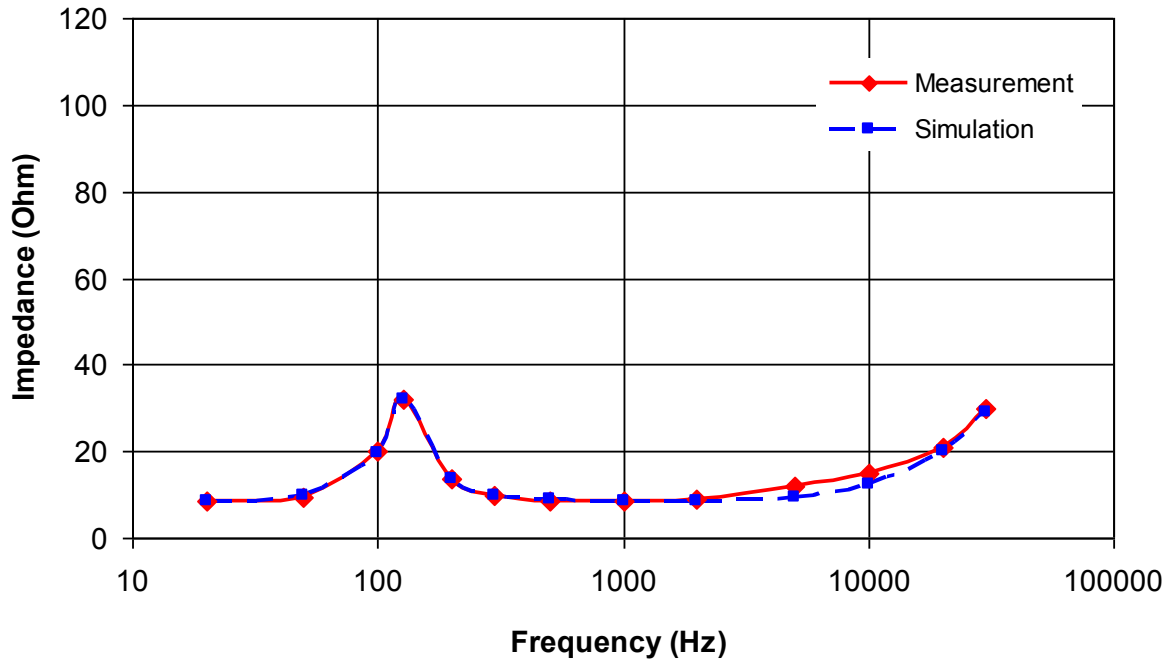


Evaluation circuit



Circuit Simulation Result

Comparison graph



Simulation Result

Frequency (Hz)	Impedance(ohm)		%Error
	Measurement	Simulation	
20	8.500	8.668	1.976
50	9.500	9.791	3.063
100	20.000	19.616	-1.920
126	32.000	31.922	-0.244
200	13.500	13.681	1.341
300	10.000	9.968	-0.320
500	8.500	8.876	4.424
1000	8.700	8.647	-0.609
2000	9.000	8.614	-4.289