

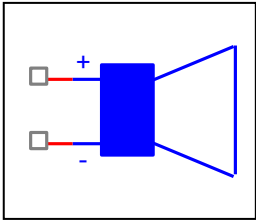
Evaluation Report

COMPONENTS:Speaker
PART NUMBER: FF125K
Class:Full Range
MANUFACTURER: FOSTEX



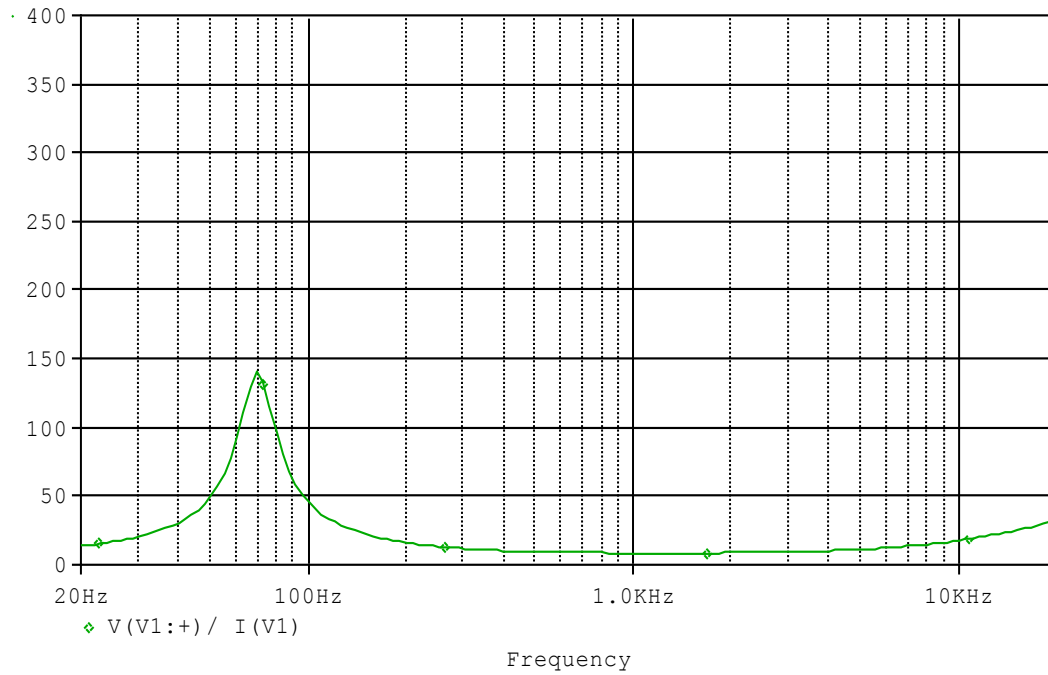
Bee Technologies Inc.

Circuit Configuration

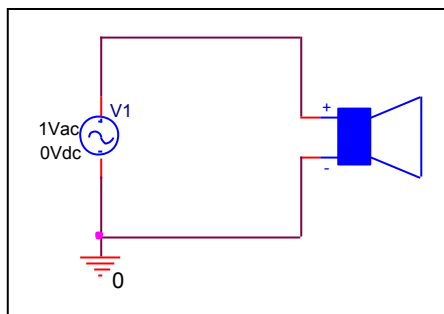


Frequency Response & Impedance Characteristic

Circuit Simulation Result

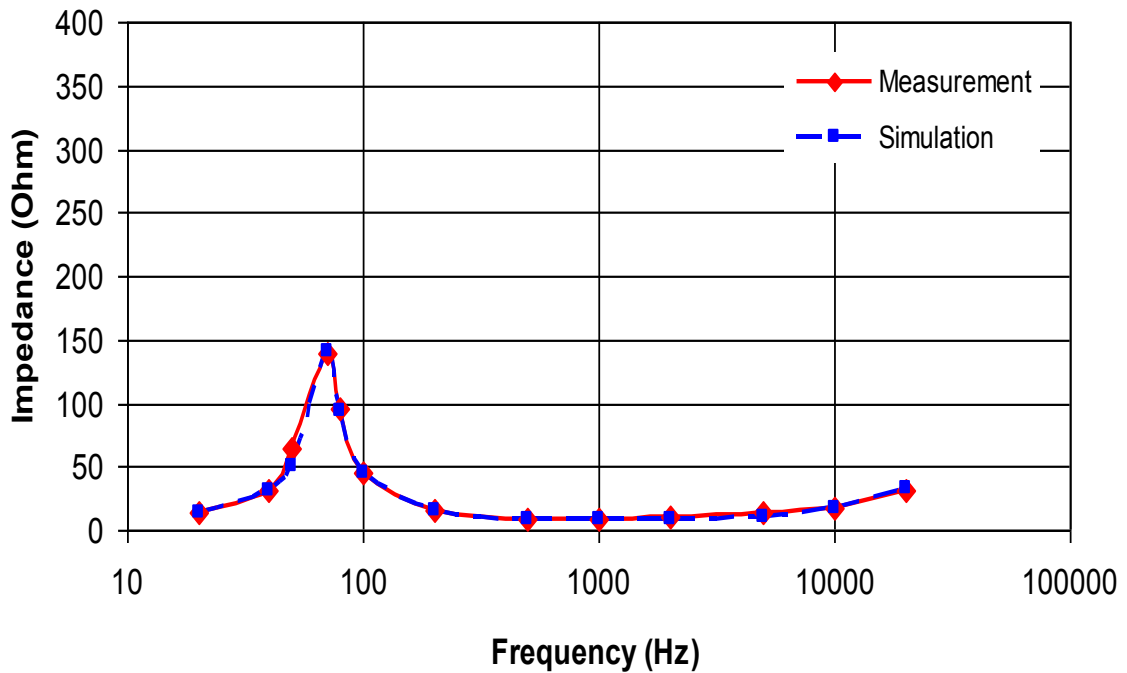


Evaluation circuit



Circuit Simulation Result

Comparison graph



Simulation Result

Frequency (Hz)	Impedance(ohm)		%Error
	Measurement	Simulation	
20	14.000	13.898	-0.729
40	32.000	30.568	-4.475
70	140.000	140.400	0.286
80	95.000	93.281	-1.809
100	45.000	45.493	1.096
200	16.000	16.024	0.150
500	9.100	9.526	4.681
1000	9.000	8.575	-4.722