

Device Modeling Report

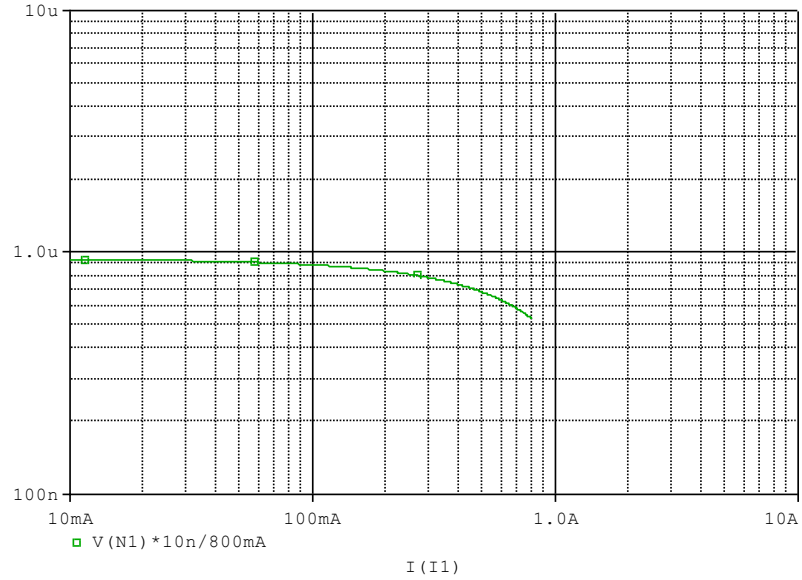
COMPONENTS: Inductor DC Model
PART NUMBER: LQM21PN1R0MC0
MANUFACTURER: Murata Manufacturing Co, Ltd.
Remark: DC Model



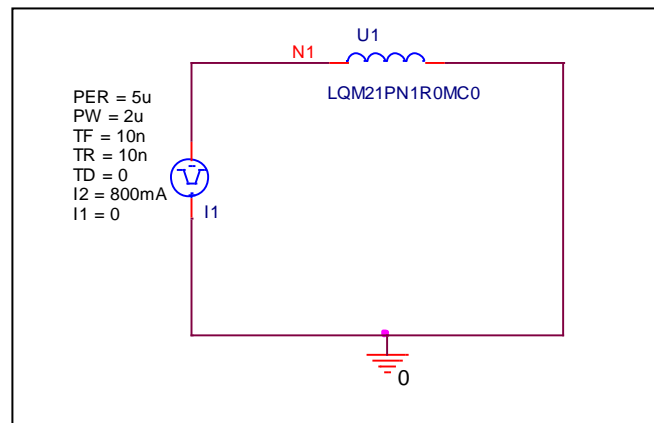
Bee Technologies Inc.

Inductance-Current Characteristics

Circuit Simulation result

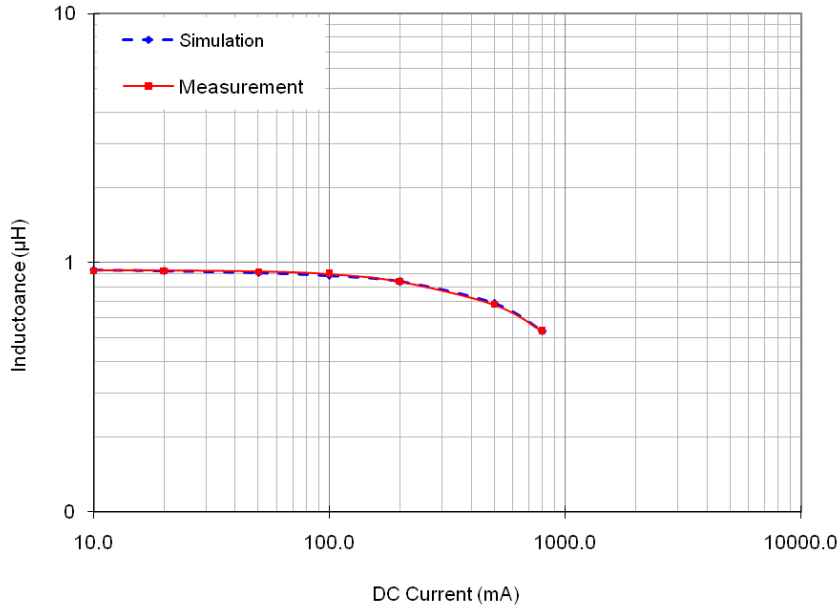


Evaluation circuit



Comparison Graph

Simulation result



Comparison table

I (mA)	L (µH)		%Error
	Measurement	Simulation	
10	0.930	0.935	0.53
20	0.930	0.930	-0.02
50	0.920	0.915	-0.59
100	0.900	0.889	-1.21
200	0.840	0.838	-0.21
500	0.680	0.686	0.81
800	0.530	0.533	0.53