

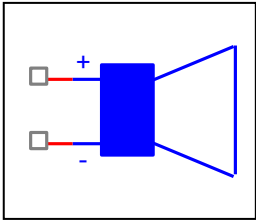
Evaluation Report

COMPONENTS:Speaker
PART NUMBER: FF165K
Class:Full Range
MANUFACTURER: FOSTEX



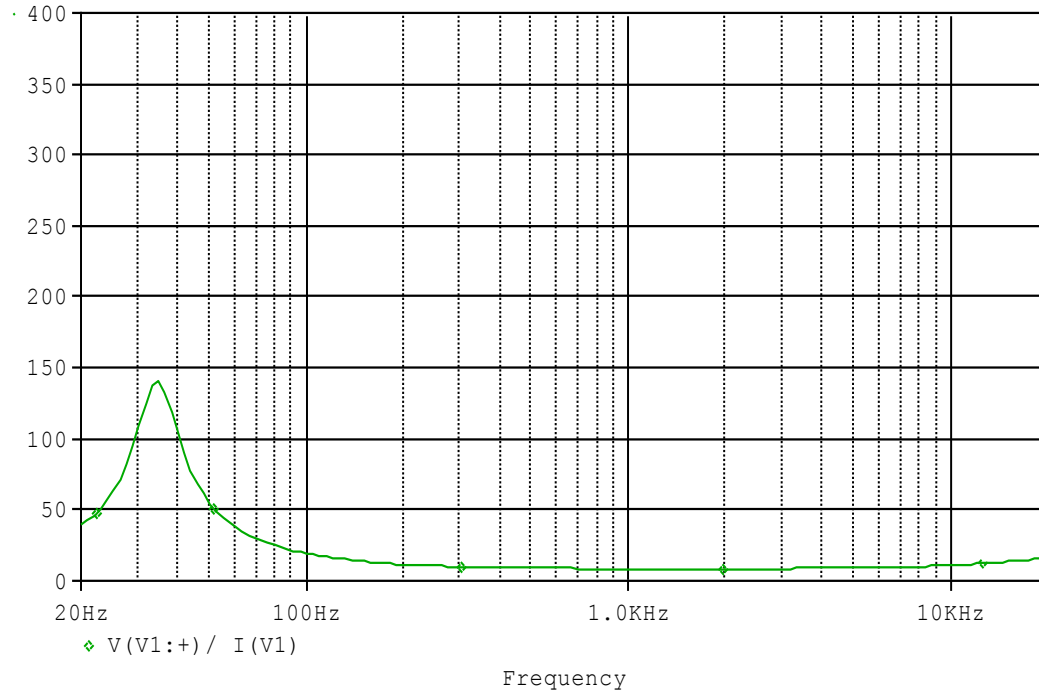
Bee Technologies Inc.

Circuit Configuration

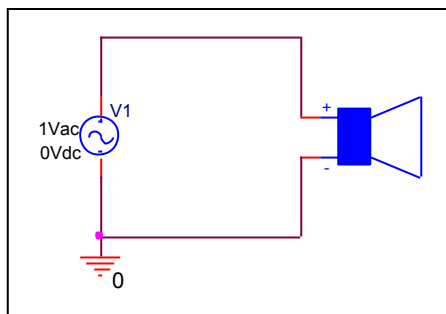


Frequency Response & Impedance Characteristic

Circuit Simulation Result

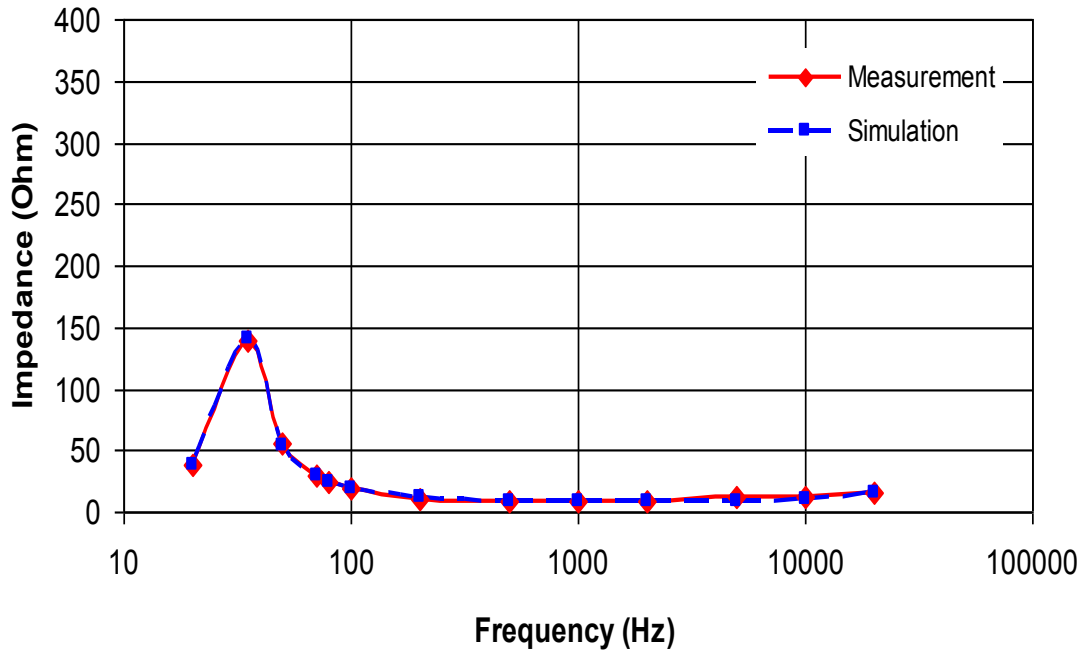


Evaluation circuit



Circuit Simulation Result

Comparison graph



Simulation Result

Frequency (Hz)	Impedance(ohm)		%Error
	Measurement	Simulation	
20	38.500	38.858	0.930
35	140.000	140.312	0.223
50	55.000	54.636	-0.662
100	19.000	19.320	1.684
200	11.200	11.569	3.295
500	8.700	8.951	2.885
1000	9.000	8.650	-3.889
2000	9.100	8.820	-3.077