

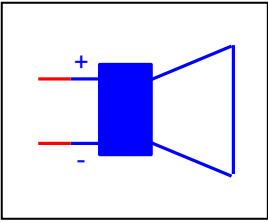
Evaluation Report

COMPONENTS:Speaker
Class: Full Range
PART NUMBER: FF85K
MANUFACTURER: FOSTEX



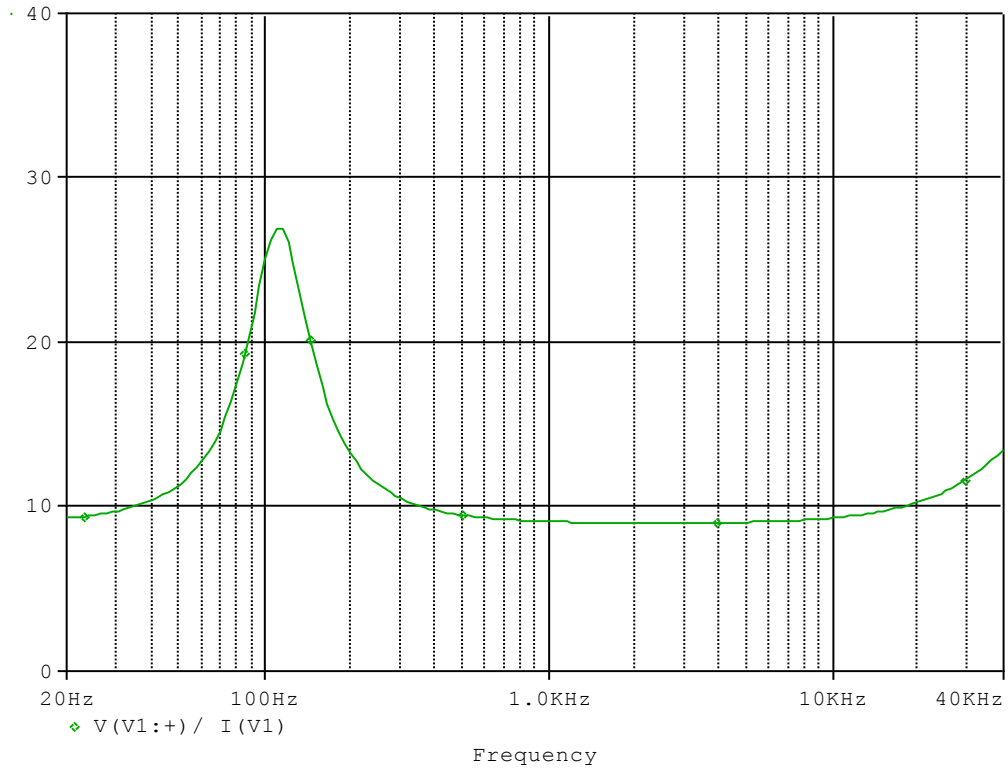
Bee Technologies Inc.

Circuit Configuration

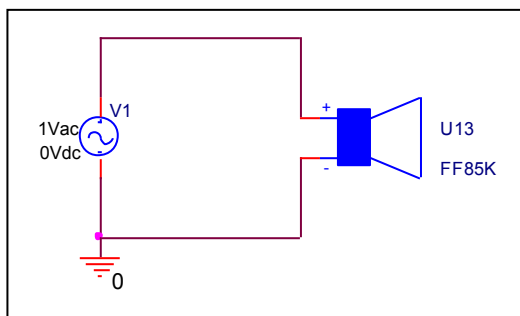


Frequency Response & Impedance Characteristic

Circuit Simulation Result

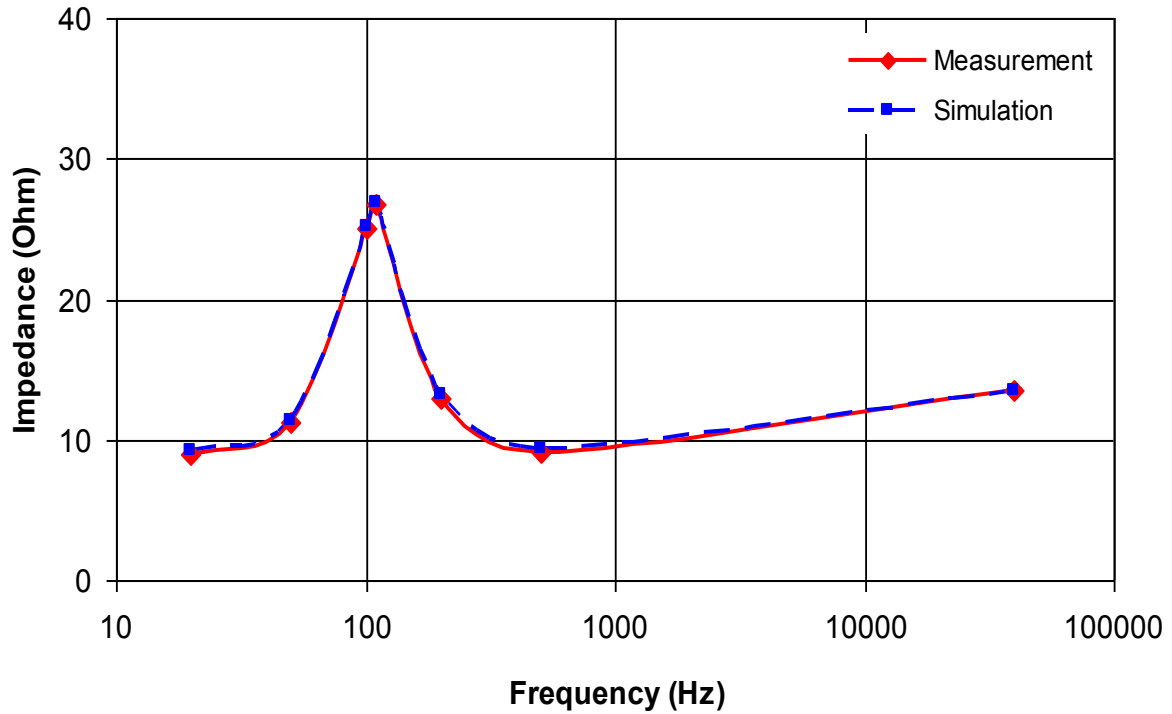


Evaluation circuit



Circuit Simulation Result

Comparison graph



Simulation Result

Frequency (Hz)	Impedance(ohm)		%Error
	Measurement	Simulation	
20	9.000	9.309	3.433
50	11.200	11.343	1.277
100	25.000	25.175	0.700
200	13.000	13.171	1.315
500	9.100	9.451	3.857
40000	13.500	13.456	-0.326