

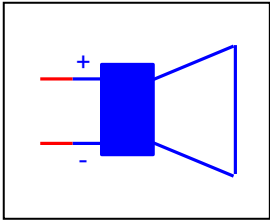
Evaluation Report

COMPONENTS:Speaker
Class : Full Range
PART NUMBER: FX120
MANUFACTURER: FOSTEX



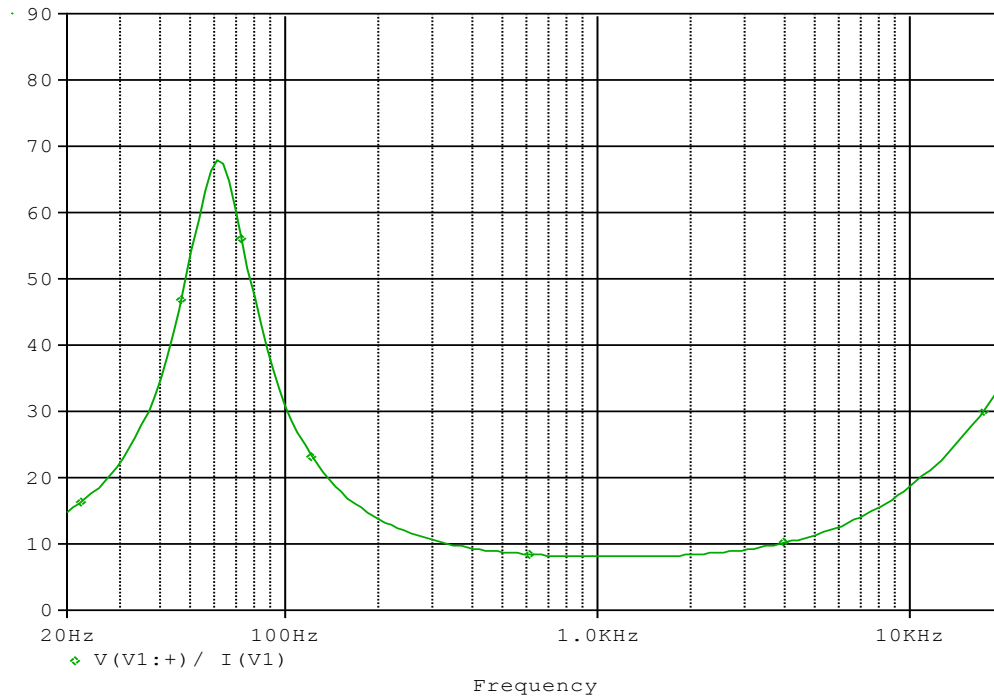
Bee Technologies Inc.

Circuit Configuration

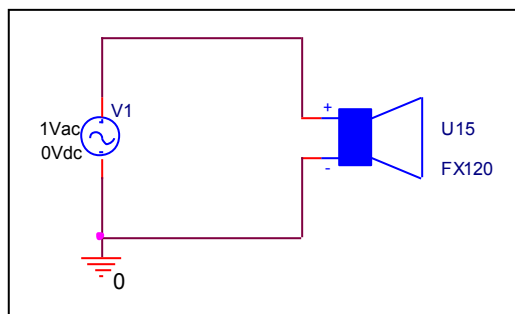


Frequency Response & Impedance Characteristic

Circuit Simulation Result

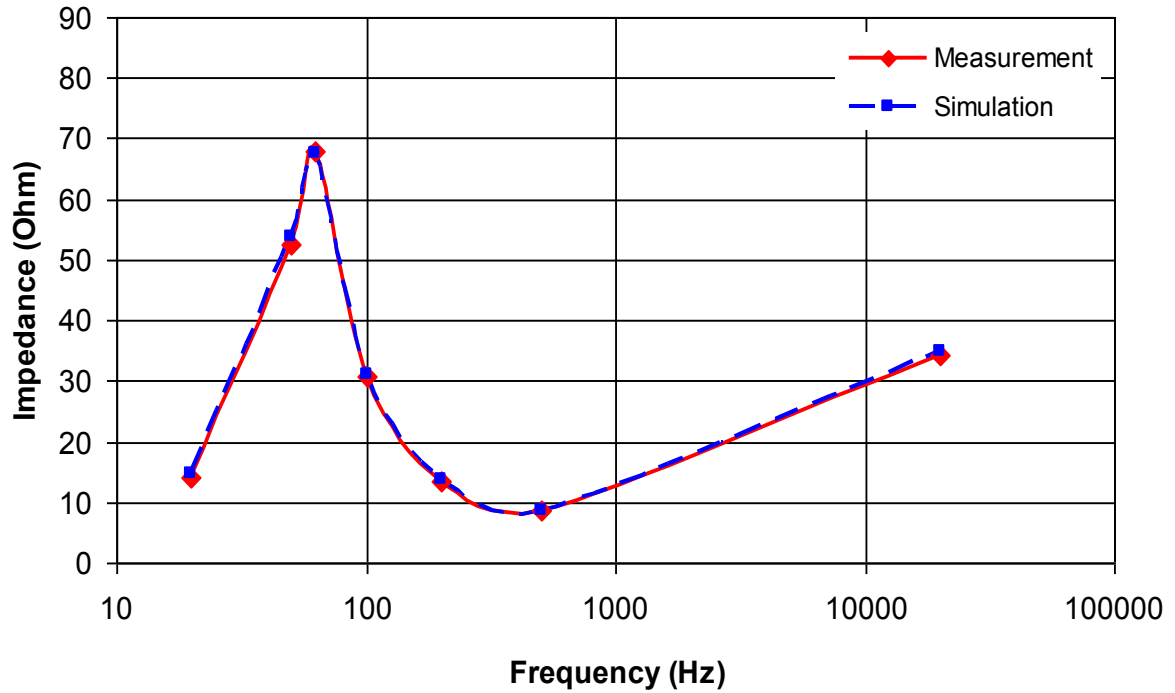


Evaluation circuit



Circuit Simulation Result

Comparison graph



Simulation Result

Frequency (Hz)	Impedance(ohm)		%Error
	Measurement	Simulation	
20	14.200	14.830	4.437
50	52.500	53.947	2.756
100	30.800	31.025	0.731
200	13.500	13.727	1.681
500	8.700	8.750	0.575
20000	34.300	34.769	1.367