

Device Modeling Report

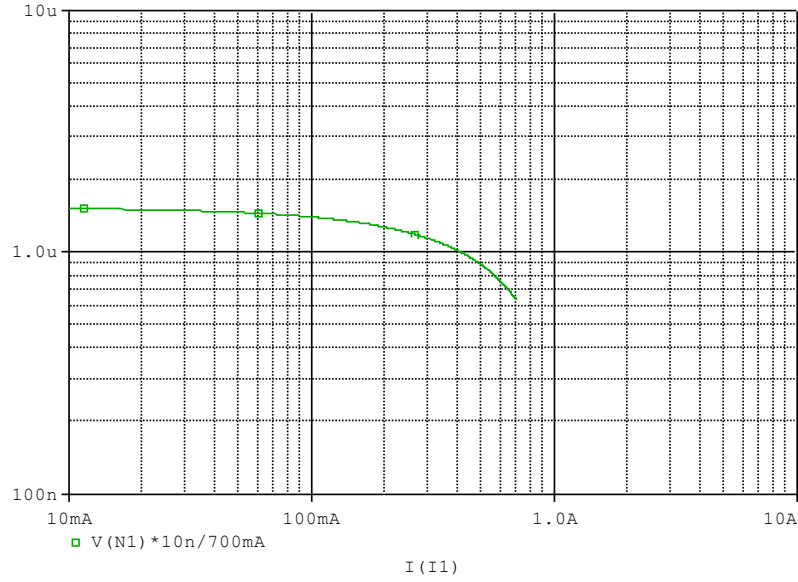
COMPONENTS: Inductance
PART NUMBER: LQM21PN1R5MC0
MANUFACTURER: Murata Manufacturing Co., Ltd.
Remark: DC Model



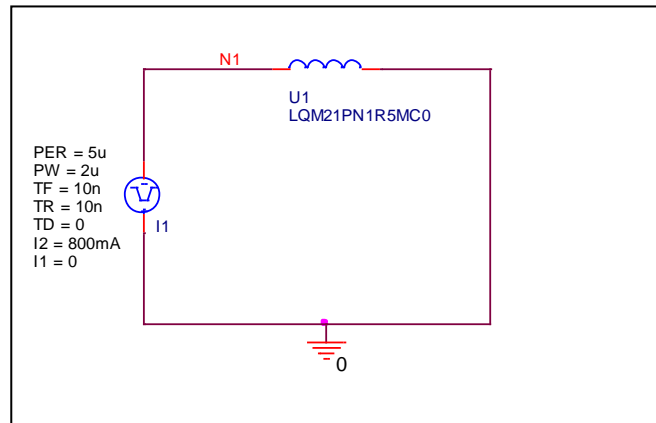
Bee Technologies Inc.

Inductance-Current Characteristics

Circuit Simulation result

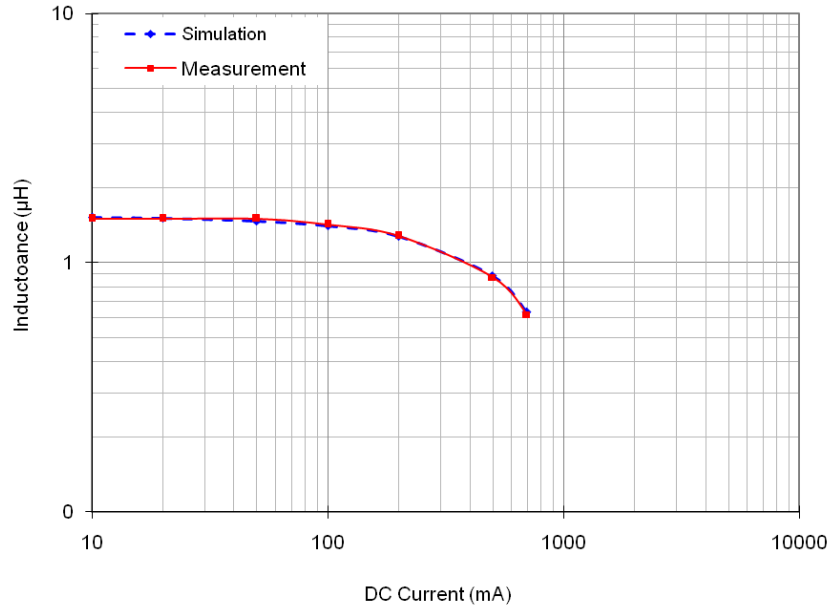


Evaluation circuit



Comparison Graph

Simulation result



Comparison table

I (mA)	L (µH)		%Error
	Measurement	Simulation	
10	1.500	1.517	1.15
20	1.500	1.504	0.29
50	1.500	1.466	-2.27
100	1.425	1.402	-1.62
200	1.280	1.274	-0.49
500	0.875	0.889	1.63
700	0.620	0.633	2.09