

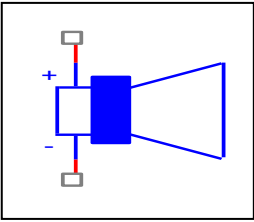
# Evaluation Report

COMPONENTS:Speaker  
PART NUMBER: FW168HP  
Class:Woofer  
MANUFACTURER: FOSTEX



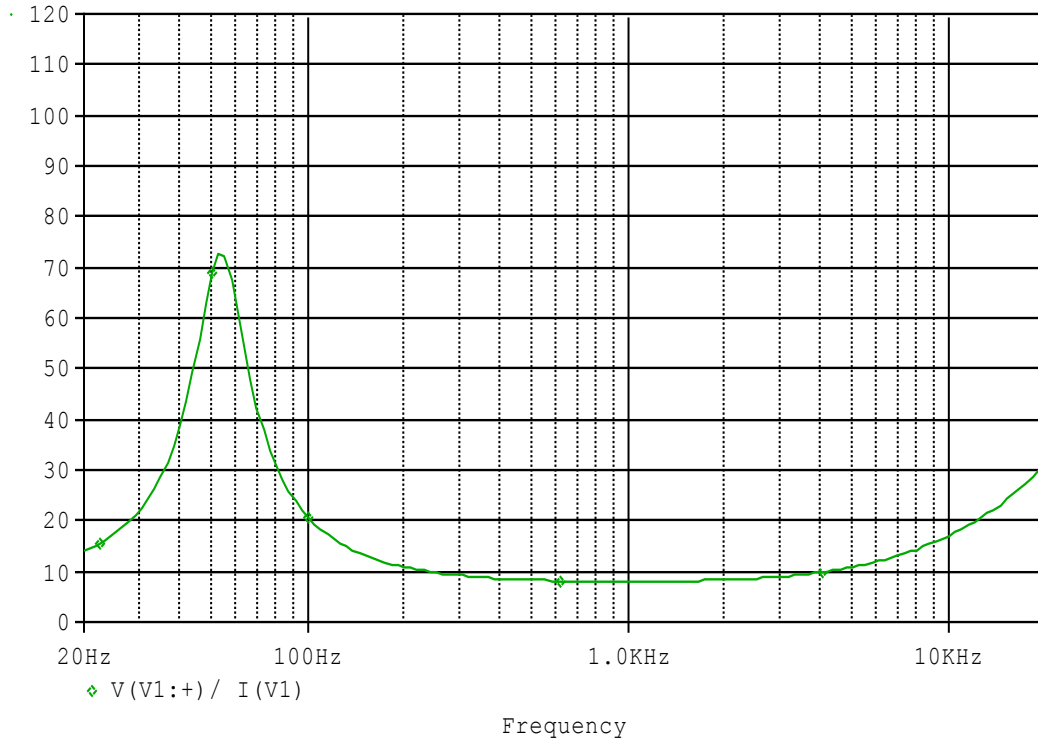
**Bee Technologies Inc.**

# Circuit Configuration

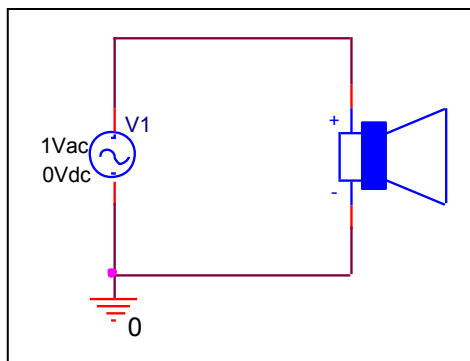


# Frequency Response & Impedance Characteristic

## Circuit Simulation Result

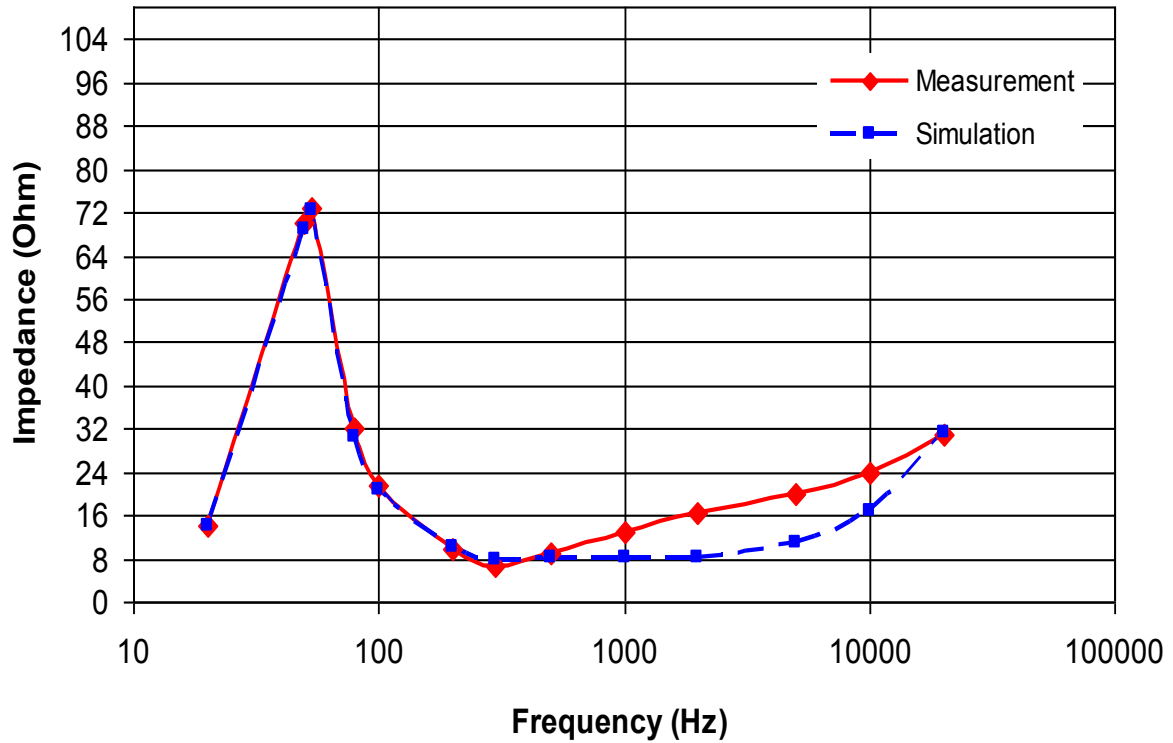


## Evaluation circuit



## Circuit Simulation Result

### Comparison graph



### Simulation Result

Frequency (Hz)	Impedance(ohm)		%Error
	Measurement	Simulation	
20	14.000	13.921	-0.564
50	70.000	68.921	-1.541
53	73.000	72.530	-0.644
80	32.000	30.714	-4.019
100	21.500	20.631	-4.042
200	9.800	10.161	3.684