

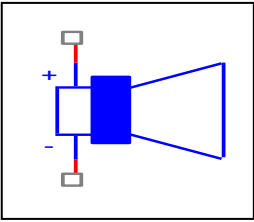
# Evaluation Report

COMPONENTS:Speaker  
PART NUMBER: FW168HP-X  
Class:Woofer  
MANUFACTURER: FOSTEX



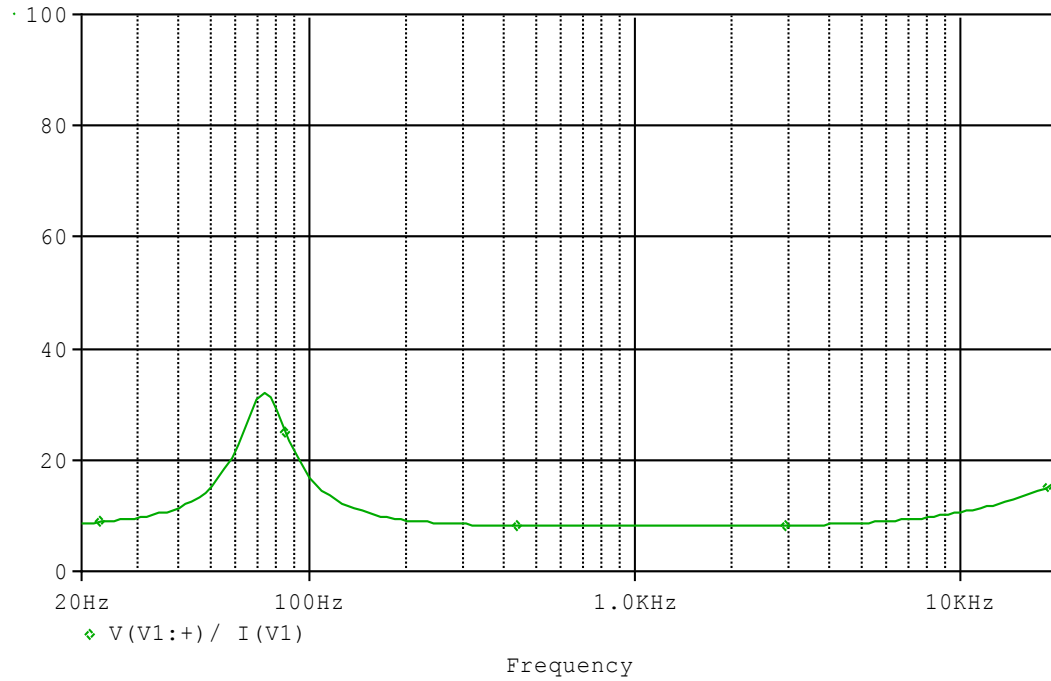
**Bee Technologies Inc.**

# Circuit Configuration

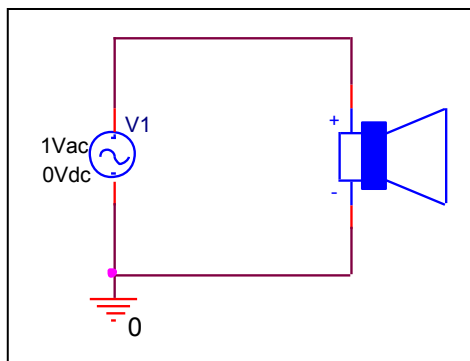


# Frequency Response & Impedance Characteristic

## Circuit Simulation Result

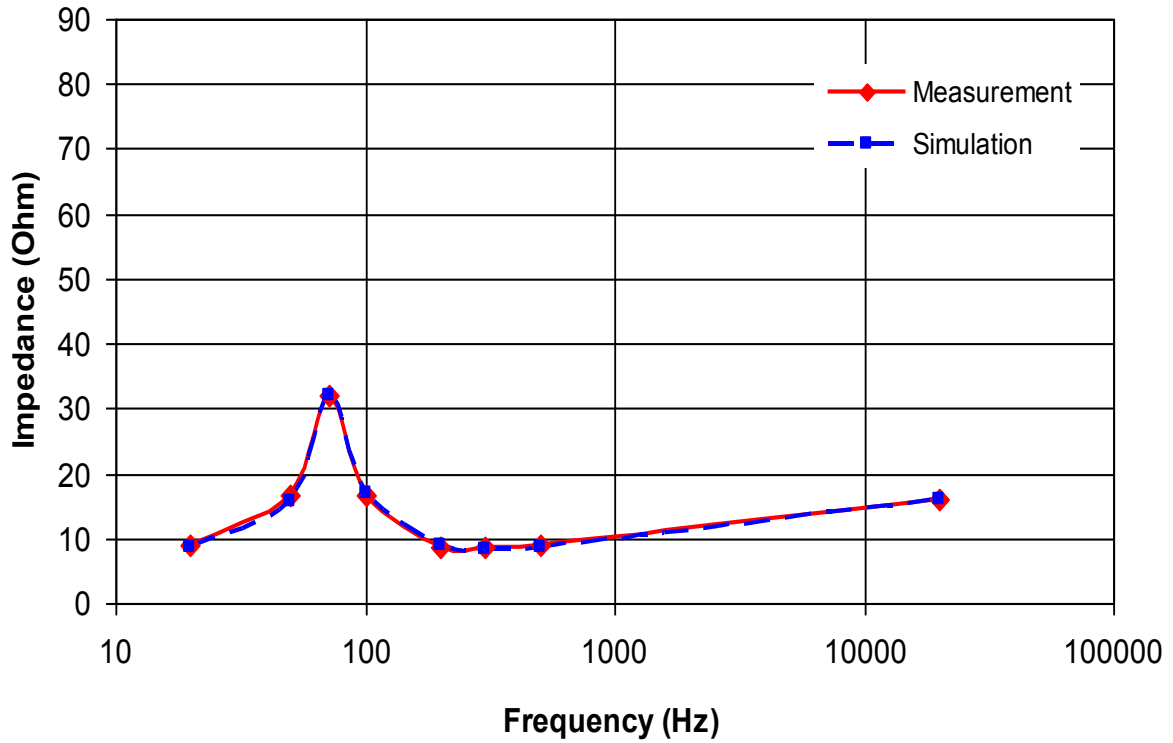


## Evaluation circuit



## Circuit Simulation Result

### Comparison graph



### Simulation Result

Frequency (Hz)	Impedance(ohm)		%Error
	Measurement	Simulation	
20	9.100	8.700	-4.396
50	16.500	15.717	-4.745
72	32.000	31.982	-0.056
100	16.500	16.968	2.836
200	8.700	9.074	4.299
300	8.500	8.441	-0.694