

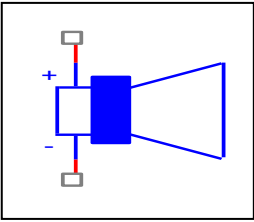
Evaluation Report

COMPONENTS:Speaker
PART NUMBER: FW405N
Class:Woofer
MANUFACTURER: FOSTEX



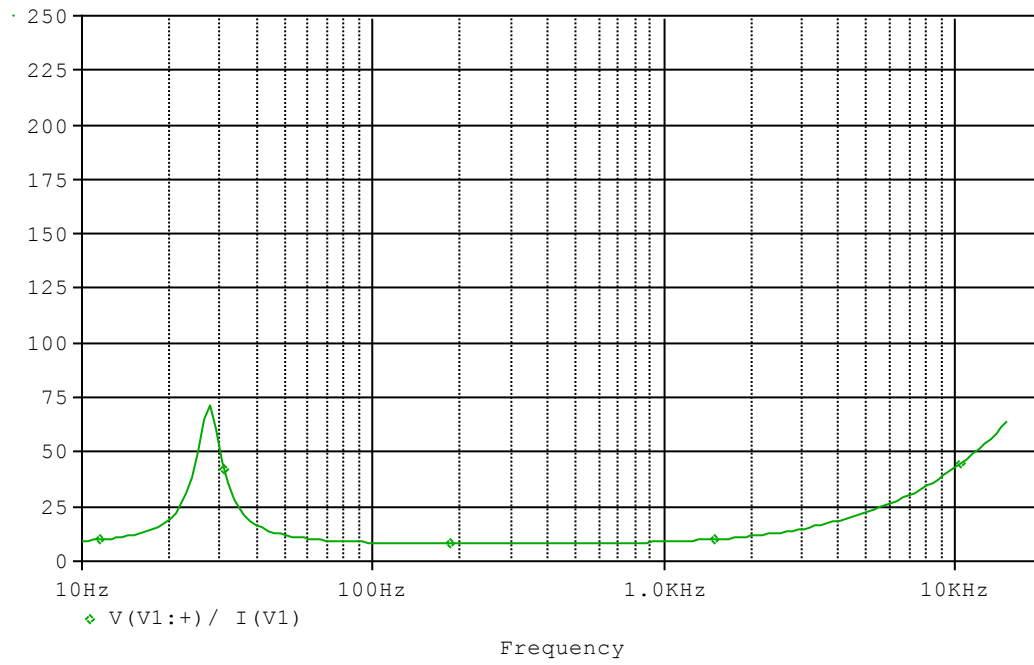
Bee Technologies Inc.

Circuit Configuration

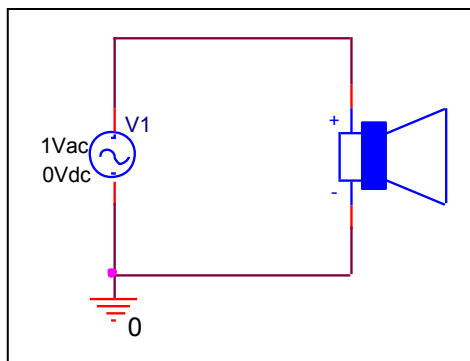


Frequency Response & Impedance Characteristic

Circuit Simulation Result

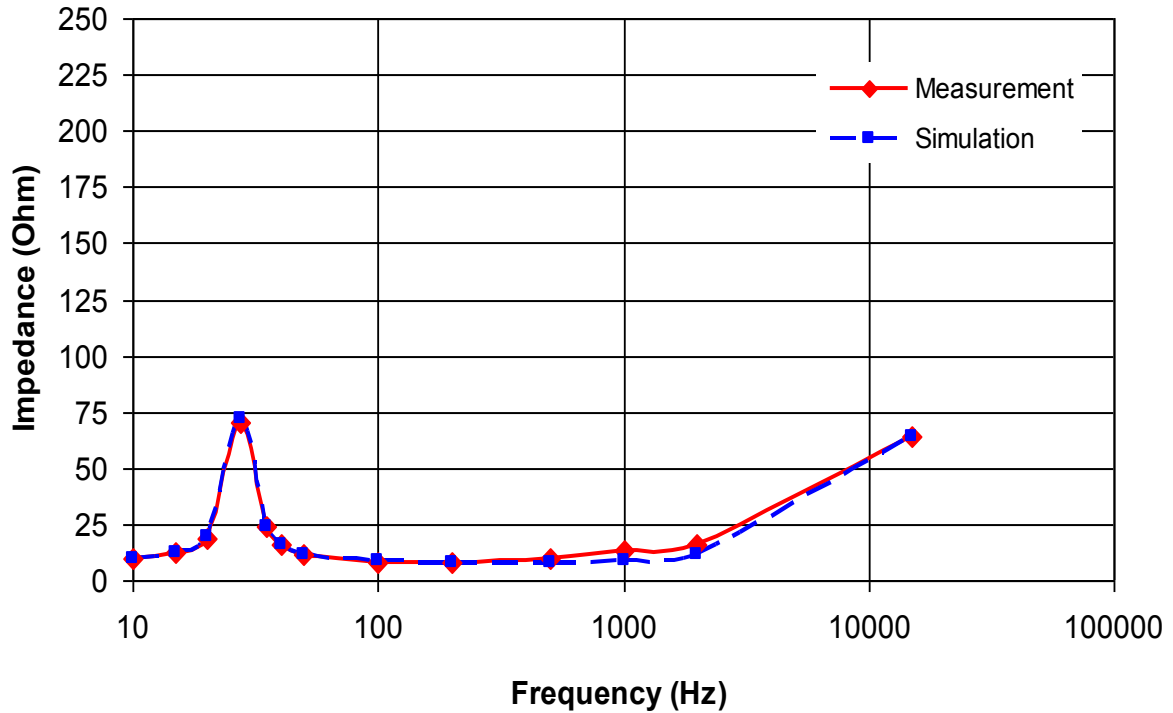


Evaluation circuit



Circuit Simulation Result

Comparison graph



Simulation Result

Frequency (Hz)	Impedance(ohm)		%Error
	Measurement	Simulation	
10	9.500	9.400	-1.053
20	19.000	19.436	2.295
28	70.000	71.641	2.344
50	11.500	11.865	3.174
100	8.200	8.575	4.573
200	8.100	8.056	-0.543