

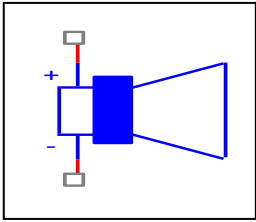
Evaluation Report

COMPONENTS:Speaker
PART NUMBER: W300A2
Class:Woofer
MANUFACTURER: FOSTEX



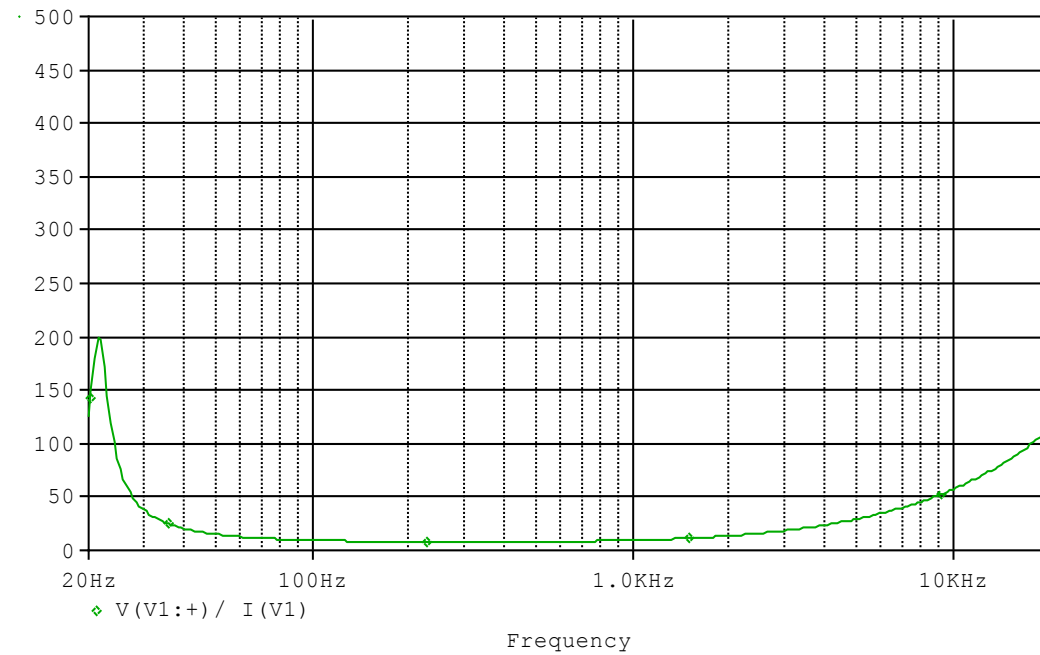
Bee Technologies Inc.

Circuit Configuration

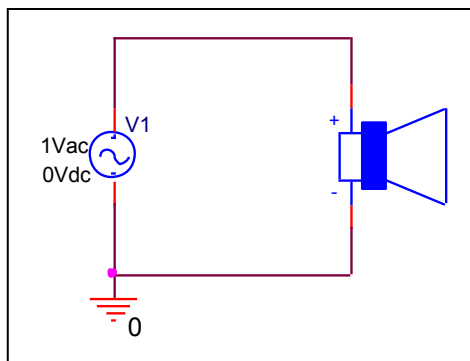


Frequency Response & Impedance Characteristic

Circuit Simulation Result

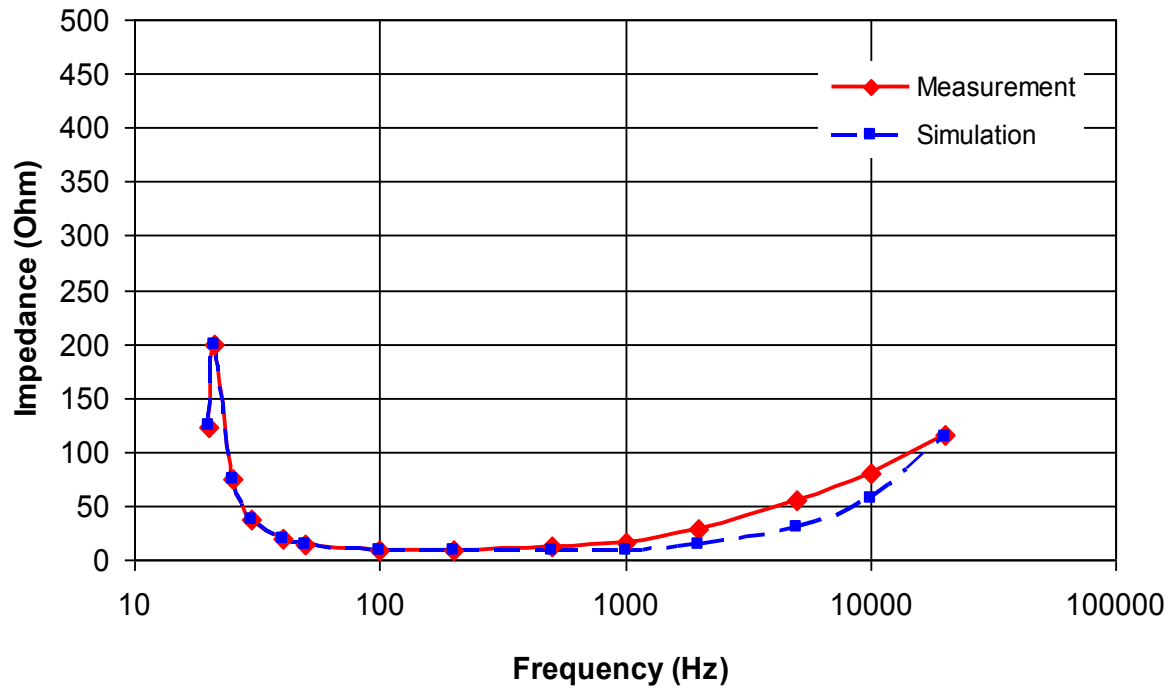


Evaluation circuit



Circuit Simulation Result

Comparison graph



Simulation Result

Frequency (Hz)	Impedance(ohm)		%Error
	Measurement	Simulation	
20	122.000	125.030	2.484
21	200.000	199.914	-0.043
50	15.000	15.079	0.527
100	9.500	9.464	-0.379
200	8.500	8.168	-3.906